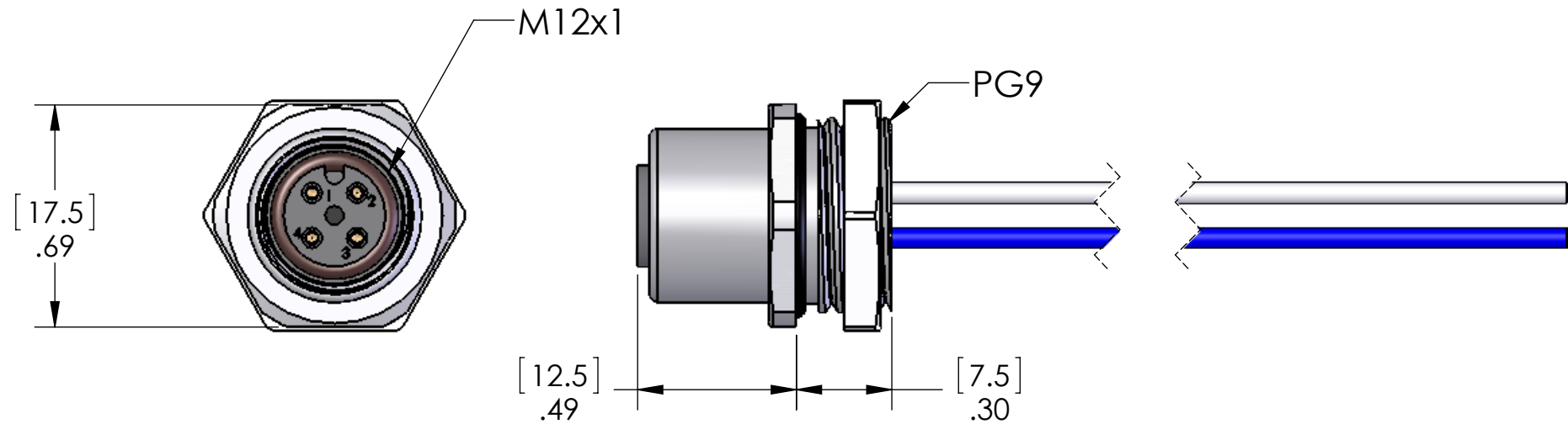


PIN #	COLOR
1	BROWN
2	WHITE
3	BLUE
4	BLACK
5	NOT USED

REVISIONS			
REV.	DESCRIPTION	DATE	APPROVED
A	INITIAL RELEASE	8/8/2005	



P/N	L
MDC-4FR-PG9	12" [0.3m]
MDC-4FR-PG9-0.5M	19" [0.5m]
MDC-4FR-PG9-1M	40" [1m]
MDC-4FR-PG9-2M	79" [2m]
MDC-4FR-PG9-3M	118" [3m]
MDC-4FR-PG9-5M	197" [5m]

MATERIALS	
BODY:	NICKEL PLATED BRASS
CONTACTS:	GOLD PLATED COPPER ALLOY
WIRES:	22AWG UL1007/1569
INSERT:	POLYAMIDE
O-RING:	FPM

APPROVALS:	
US	UL LISTED
CANADA	C-UL LISTED

PROPRIETARY AND CONFIDENTIAL
 THE INFORMATION CONTAINED IN THIS DRAWING IS THE SOLE PROPERTY OF MENCOM CORPORATION. ANY REPRODUCTION IN PART OR AS A WHOLE WITHOUT THE WRITTEN PERMISSION OF MENCOM CORPORATION IS PROHIBITED.

VOLTS	300V
AMPS	4A
TEMP	105°C

UNLESS OTHERWISE SPECIFIED:	NAME
DIMENSIONS ARE IN INCHES AND [MM]	DRAWN: DWM
	CHECKED:
	ENG APPR.:
	MFG APPR.:
	Q.A.:
	COMMENTS:
MATERIAL:	
FINISH:	
DO NOT SCALE DRAWING	

MENCOM CORPORATION		
TITLE: 4 POL FEM RECP PG9		
SIZE: B	DWG. NO. MDC-4FR-PG9-ZZ	REV: A
SCALE: 2:1	WEIGHT:	SHEET 1 OF 1