

PIN #	COLOR
1	RED w/BLACK
2	RED w/WHITE
3	RED
4	GREEN / YELLOW

REVISIONS			
REV.	DESCRIPTION	DATE	APPROVED
A	INITIAL REVISION	7/27/2005	
B	CHG TO METRIC	12/29/2014	JJH

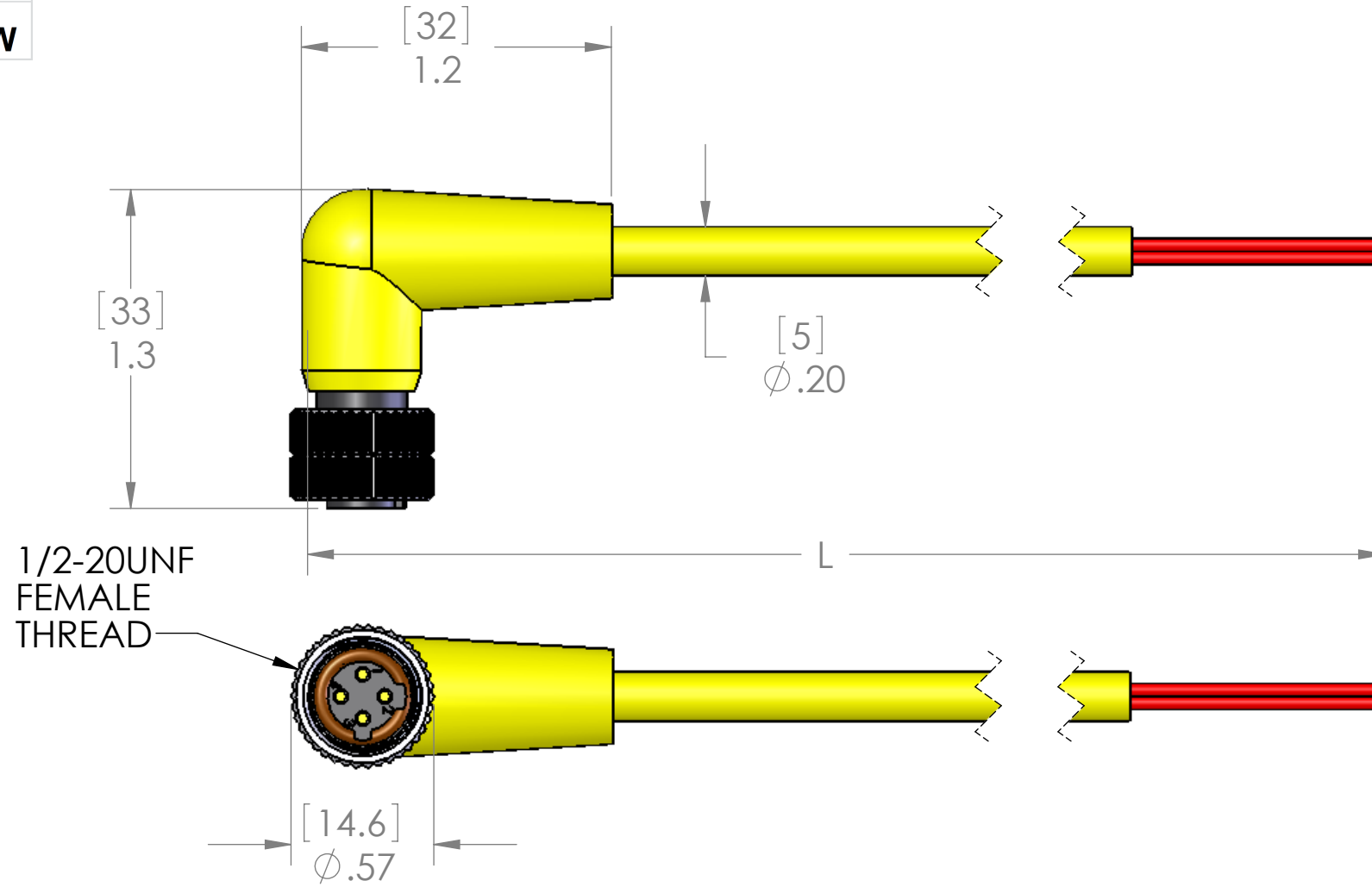


TABLE A		
P/N	L	STD?
MAC-4FP-1M-R	40" [1m]	YES
MAC-4FP-2M-R	79" [2m]	YES
MAC-4FP-3M-R	118" [3m]	YES
MAC-4FP-4M-R	157" [4m]	YES
MAC-4FP-5M-R	197" [5m]	YES
MAC-4FP-6M-R	236" [6m]	NO
MAC-4FP-8M-R	315" [8m]	NO
MAC-4FP-10M-R	393" [10m]	YES
MAC-4FP-15M-R	591" [15m]	YES
MAC-4FP-20M-R	787" [20m]	YES
MAC-4FP-30M-R	1181" [30m]	NO
MAC-4FP-50M-R	1968" [50m]	NO

PARTS LISTED AS NOT BEING STANDARD  
MAY REQUIRE MINIMUM ORDERS

MATERIALS	
BODY:	YELLOW PVC
CONTACTS:	GOLD PLATED COPPER ALLOY
CABLE:	22/4 AWM 2661 YELLOW PVC JACKET
COUPLING:	NICKEL PLATED BRASS
INSERT:	POLYAMIDE
O-RING:	FPM
APPROVALS:	
US	UL LISTED
CANADA	C-UL LISTED

**PROPRIETARY AND CONFIDENTIAL**  
THE INFORMATION CONTAINED IN THIS DRAWING IS THE SOLE PROPERTY OF MENCOM CORPORATION. ANY REPRODUCTION IN PART OR AS A WHOLE WITHOUT THE WRITTEN PERMISSION OF MENCOM CORPORATION IS PROHIBITED.

VOLTS	300V
AMPS	4A
TEMP	105°C

SPECIFICATIONS

UNLESS OTHERWISE SPECIFIED:  
DIMENSIONS ARE IN INCHES AND [MM]

MATERIAL

FINISH

DO NOT SCALE DRAWING

NAME	
DRAWN	DWM
CHECKED	
ENG APPR.	
MFG APPR.	
Q.A.	
COMMENTS:	

MENCOM CORPORATION

TITLE:

SIZE	DWG. NO.	REV
<b>B</b>	MAC-4FP-ZZ-R	<b>B</b>

SCALE: 1.5:1 WEIGHT: SHEET 1 OF 1