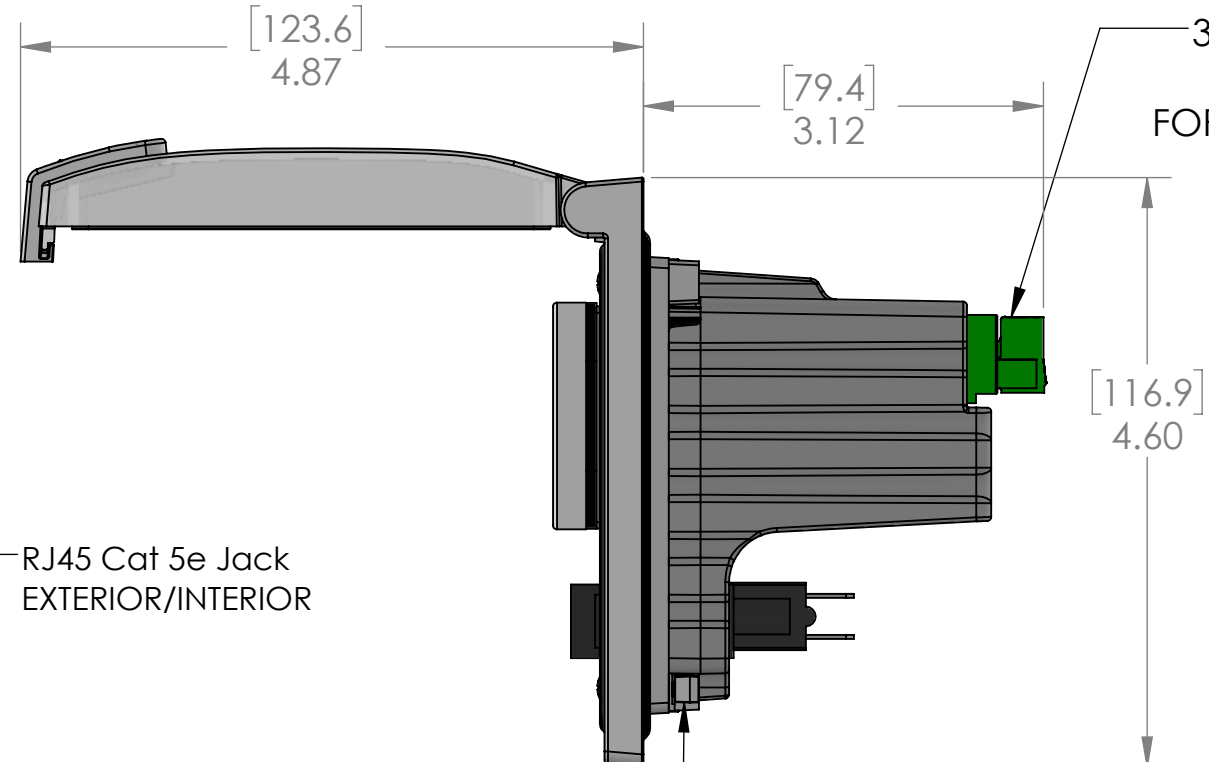
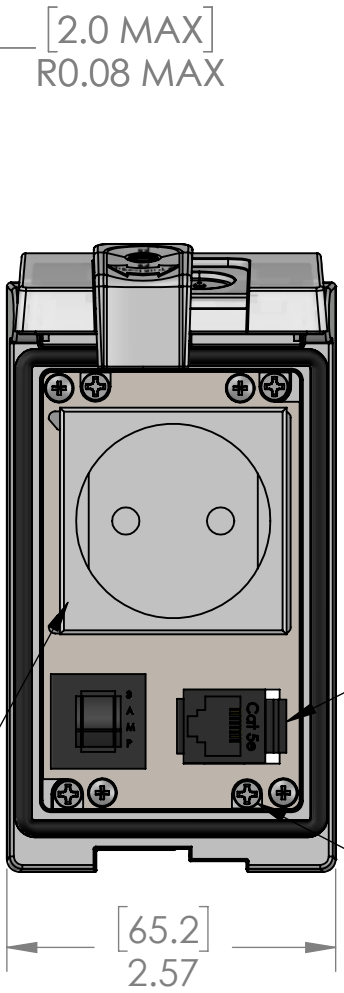
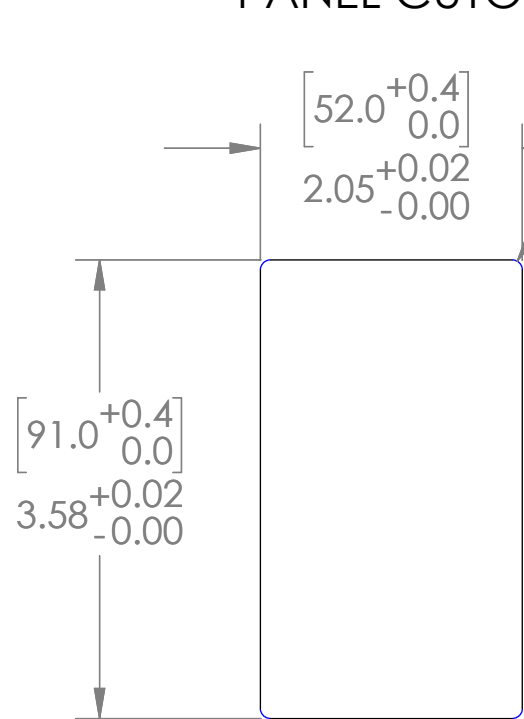
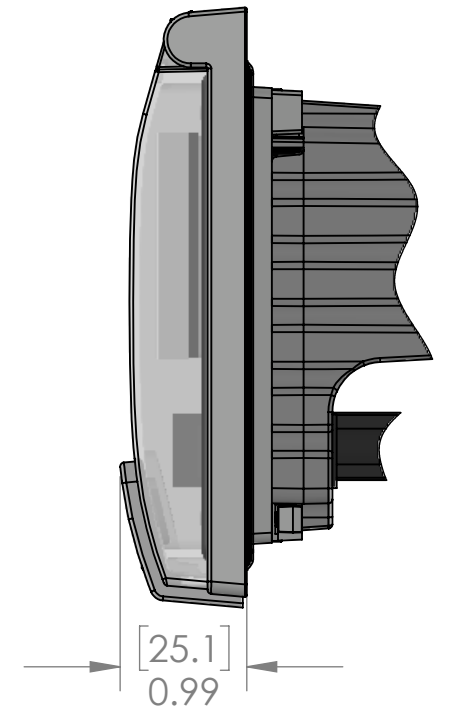


PANEL CUTOUT



3 POLE PLUGGABLE
TERMINAL BLOCK
FOR INCOMING POWER



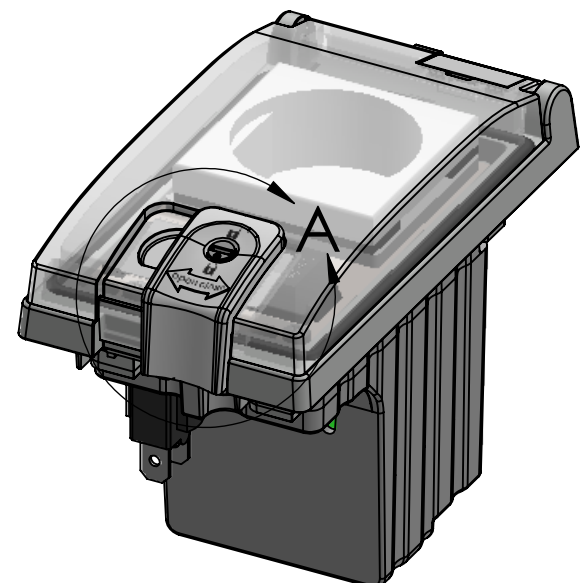
EUROPEAN "SCHUKO"
16 AMP-250 VOLT MODULAR
OUTLET CEE7/4 TYPE E, F (EU1-16R)

RJ45 Cat 5e Jack
EXTERIOR/INTERIOR

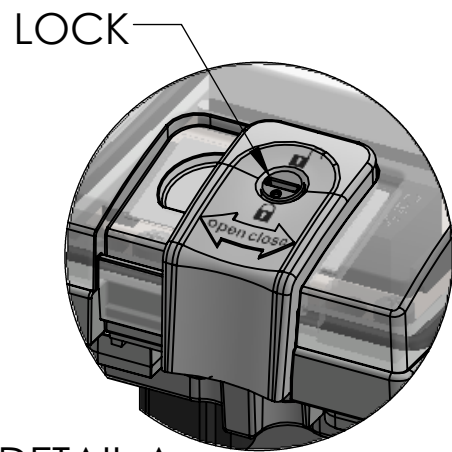
(X4) USE PH2 SCREW
DRIVER ON MOUNTING
SCREWS. (REF. MOUNTING
SCREW TORQUE)

ROTATE TWO TURNS COUNTER
CLOCKWISE TO RELEASE THE
TURN BUCKLE PRIOR TO TIGHTENING

TURN BUCKLES ROTATE 90 DEG. INTO
THEIR CLAMPING POSITION AS
MOUNTING SCREWS TIGHTEN.
DO NOT OVER-TORQUE!



SLIDE LATCH TO OPEN/CLOSE
ROTATE LOCK TO LOCK CLOSED



DETAIL A
SCALE 1 : 1

These devices shall be mounted on enclosures having adequate strength and thickness and with adequate spacing provided. Seal rating is based on mounting to a surface that is clean, flat and smooth.

PIC RATINGS/SPECIFICATIONS	
VOLTS:	250V
AMPS:	3A
NEMA/UL EN 60529:	4, 12 IP65
PANEL THICKNESS:	5.0mm max
MOUNTING SCREW TORQUE:	0.8N-m
TERMINAL BLOCK TORQUE:	0.5N-m
INCOMING POWER WIRE SIZE:	0.25 - 2.5 sq mm / 24-12AWG
WIRE STRIP LENGTH:	7 - 8 mm

HOUSING MATERIALS		UNLESS OTHERWISE SPECIFIED: DIMENSIONS ARE IN INCHES AND [MM]	DRAWN BY: DG		MENCORPORATION
BODY:	NICKEL PLATED ZINC		DRAWN DATE:	09/29/2017	
GASKETS:	PUR FIPG	CHECKED BY:	DWM	EUROPEAN RCPT; RJ45; 3A; LP1	
FRONT COVER:	POLYCARBONATE	CHECK DATE:	10/09/2017		
LATCH & LOCK:	PBT	COMMENTS:		SIZE: B	
BACK COVER:	POLYPROPYLENE			DWG. NO.: LP1-EP-RJ45-R	
		MATERIAL:			REV: B
		FINISH:			SCALE: 2:3
		DO NOT SCALE DRAWING			WEIGHT:
					SHEET 1 OF 1

PROPRIETARY AND CONFIDENTIAL
THE INFORMATION CONTAINED IN THIS
DRAWING IS THE SOLE PROPERTY OF
MENCORPORATION. ANY
REPRODUCTION IN PART OR AS A WHOLE
WITHOUT THE WRITTEN PERMISSION OF
MENCORPORATION IS
PROHIBITED.