



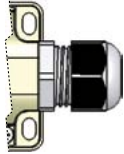
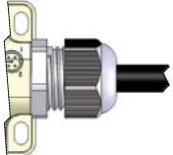
JDC (M12) Junction Blocks

6 Port, 5 Pin JDC Junction blocks

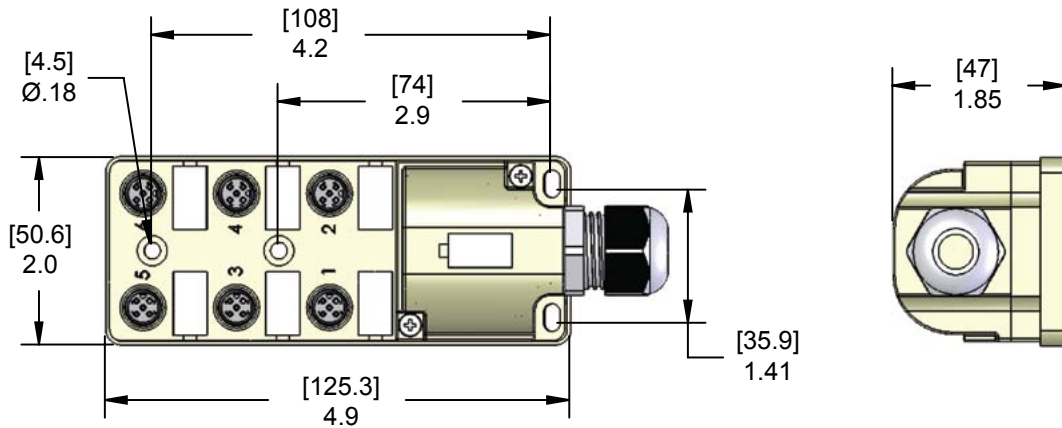


Straight Wired | IP67 Protection Rating



Trunk Style	UL Rating	Trunk Connection	Part Number
	UL Listed	Field Wireable 24 AWG - 16 AWG	JDC-6A0-025-F000
	UL Listed	Black PUR AWM With Foil Shield 24 AWG Drain Wire 4 x 18 AWG 24 x 22 AWG 12.4mm OD	JDC-6A0-025-C**

** Lengths in meters. Standard cable lengths are 2m, 5m and 10m. Consult factory for other lengths.



JDC Junction Blocks

Q

Specifications:

- Ratings: 3 A per Connector
8 A per Block
- Voltage: Without LEDs: 0-150 Volt Max
With LEDs: 48 VDC Max in accordance with LED Configuration
- Body: Polypropylene
- Inserts: Polyamide
- Port Coupling Nuts: PBT
- O-Ring: BUNA-N
- LED Lens: Polycarbonate
- Contacts: Copper Alloy with Gold Plating
- Marker Tags: Polyamide (supplied on all units)