

8 7 6 5 4 3 2 1

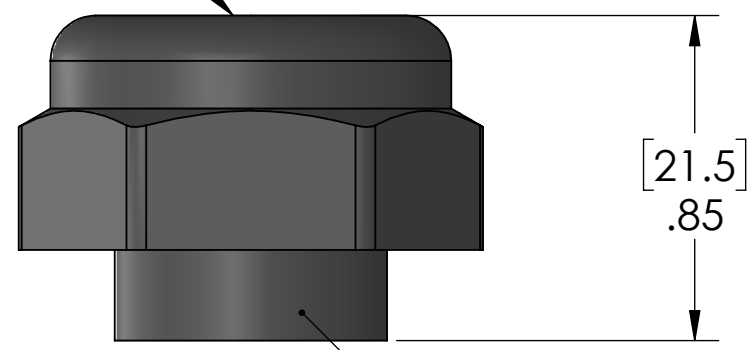
D

C

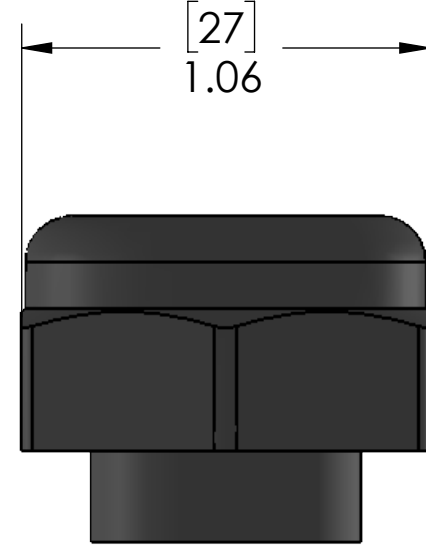
B

A

FITS CABLE DIAMETERS: 10 - 14.5 MM (0.394" - 0.571")



PG 16



D

C

B

A

IP66/IP67 (EN 60529) DEGREE OF PROTECTION

SEAL RATING ONLY ACHIEVED WHEN FULLY INSTALLED ONTO CQ-08VA HOUSING

PROPRIETARY AND CONFIDENTIAL
 THE INFORMATION CONTAINED IN THIS DRAWING IS THE SOLE PROPERTY OF MENCOM CORPORATION. ANY REPRODUCTION IN PART OR AS A WHOLE WITHOUT THE WRITTEN PERMISSION OF MENCOM CORPORATION IS PROHIBITED.

UNLESS OTHERWISE SPECIFIED:	DRAWN BY	DCG
DIMENSIONS ARE IN INCHES AND [MM]	DRAWN DATE	05/24/2018
	CHECKED BY	ADM
	CHECK DATE	05/24/2018
	COMMENTS:	
MATERIAL		
FINISH		
DO NOT SCALE DRAWING		

HOUSING MATERIALS	
BODY:	BLACK THERMOPLASTIC MATERIAL
GASKET:	THERMOPLASTIC ELASTOMER
TEMP RANGE:	-40 C...+125 C
MENCOM CORPORATION	
TITLE: CABLE GLAND FOR CQ-08VA PG16	
SIZE	DWG. NO.
B	CRQ-16
SCALE: 2:1	WEIGHT:
	SHEET 1 OF 1
REV	A

8 7 6 5 4 3 2 1