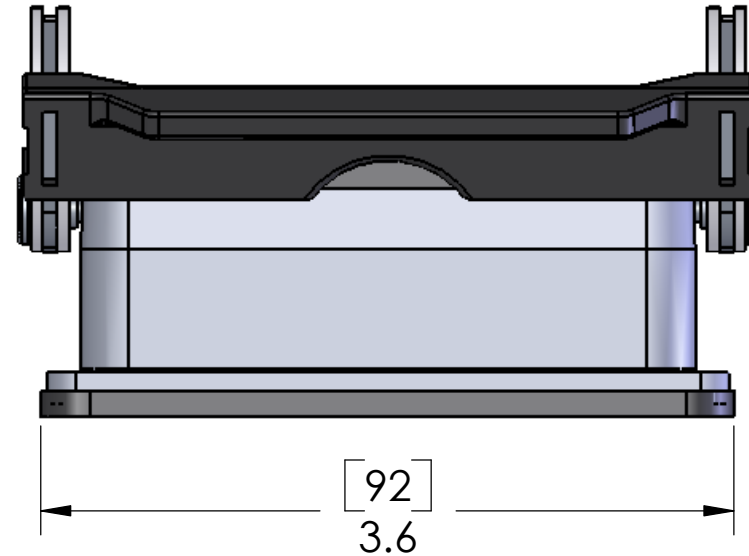
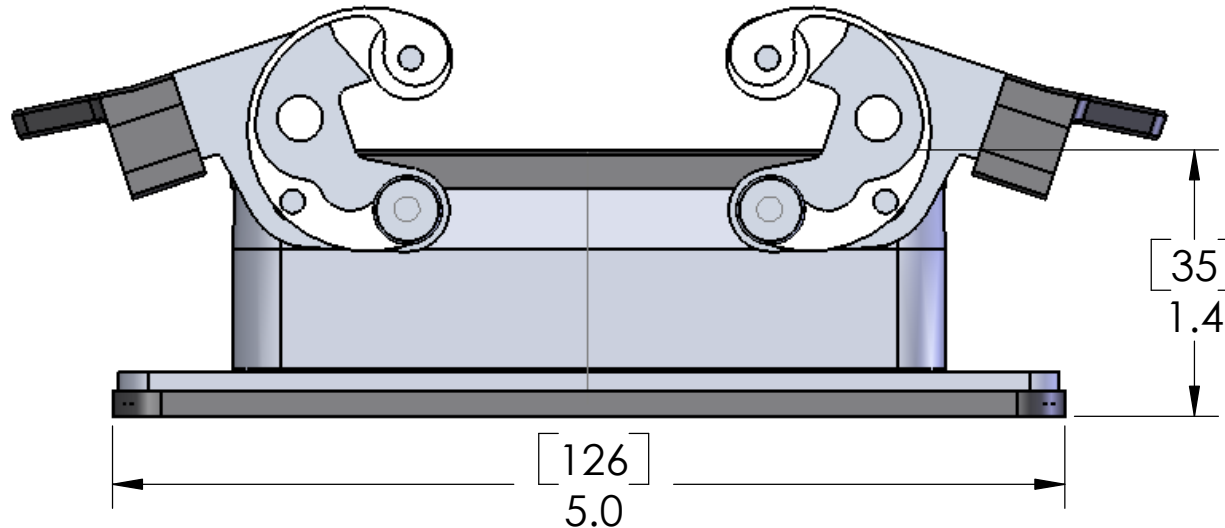
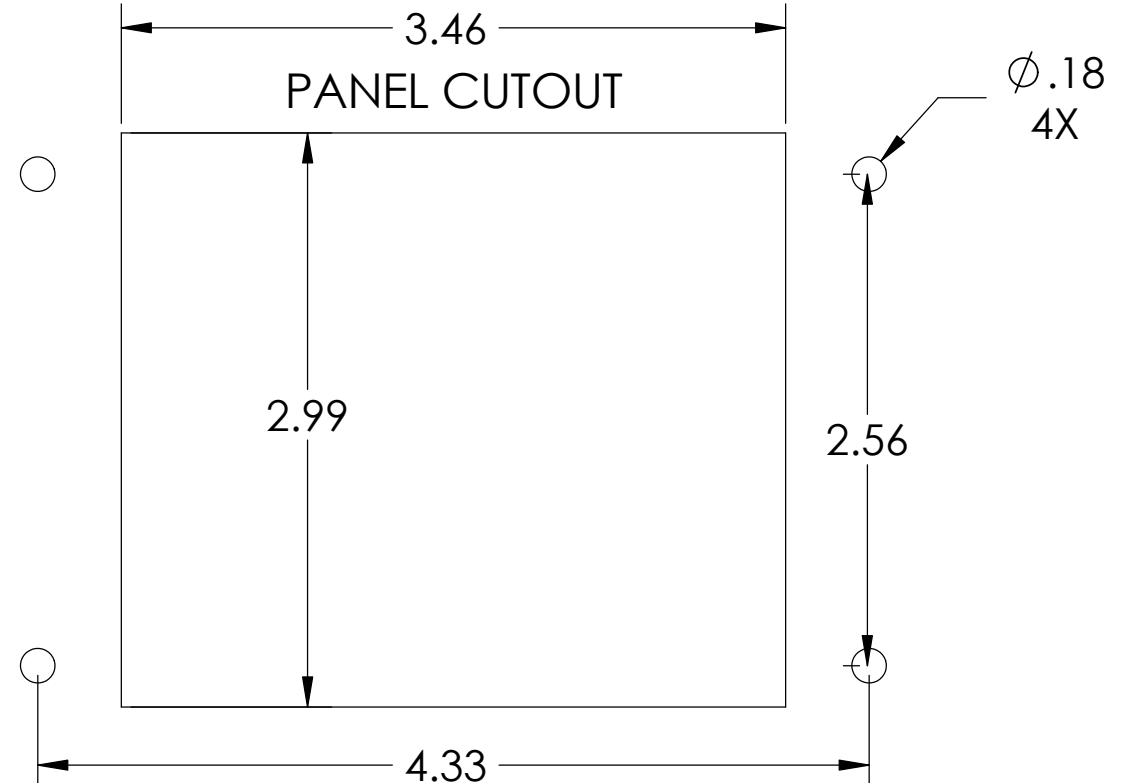
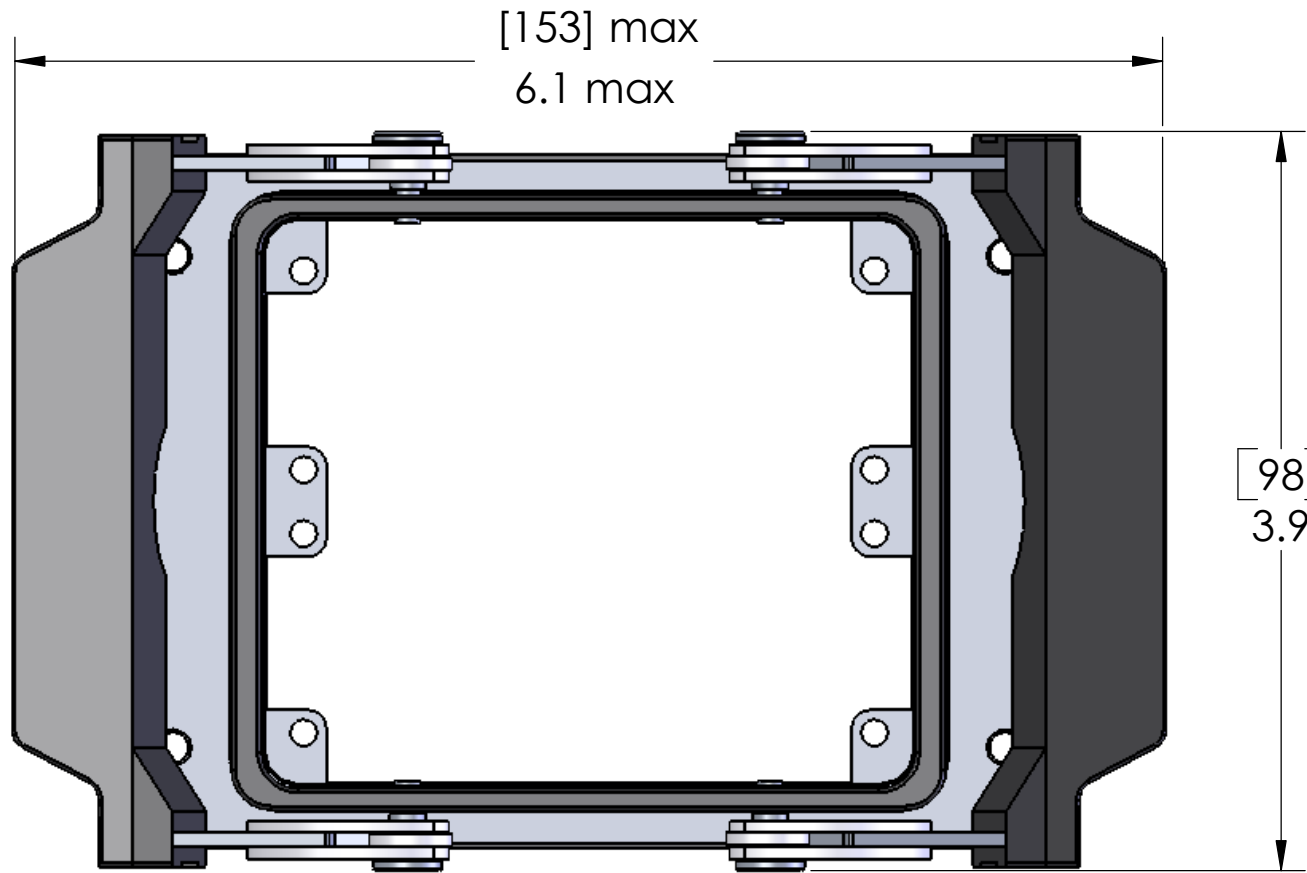


REVISIONS			
REV.	DESCRIPTION	DATE	APPROVED
A	INITIAL RELEASE IN SW	5/12/2005	bem



MATERIALS:	
BODY:	DIE CAST ALUMINUM ALLOY EPOXY-POLYESTER POWDER COAT
LEVERS:	STAINLESS STEEL W/ SELF-EXTINGUISHING THERMOPLASTIC
GASKET:	NEOPRENE
TEMP RATING	-40°C TO 125°C

PROPRIETARY AND CONFIDENTIAL
THE INFORMATION CONTAINED IN THIS DRAWING IS THE SOLE PROPERTY OF MENCOM CORPORATION. ANY REPRODUCTION IN PART OR AS A WHOLE WITHOUT THE WRITTEN PERMISSION OF MENCOM CORPORATION IS PROHIBITED.

UNLESS OTHERWISE SPECIFIED:		NAME	MENCOM CORPORATION	
DIMENSIONS ARE IN INCHES		DRAWN		CAM
TOLERANCES:		CHECKED		TITLE:
FRACTIONAL ±1/64		ENG APPR.		
ANGULAR: MACH ±5° BEND ±5°		MFG APPR.		
TWO PLACE DECIMAL ±.01		Q.A.		
THREE PLACE DECIMAL ±.004		COMMENTS:		
MATERIAL			SIZE	
FINISH			DWG. NO.	
			REV	
			SCALE: 1:1	
			WEIGHT:	
			SHEET 1 OF 1	

MENCOM CORPORATION		
TITLE:		
SIZE	DWG. NO.	REV
B	CHI-32	A
SCALE: 1:1	WEIGHT:	SHEET 1 OF 1

DO NOT SCALE DRAWING