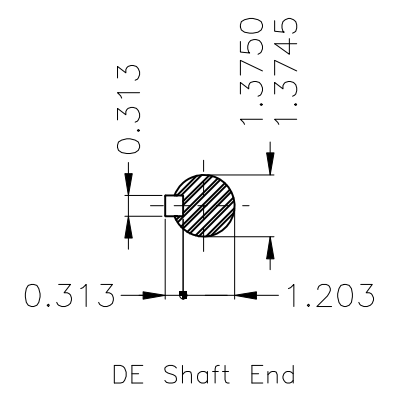
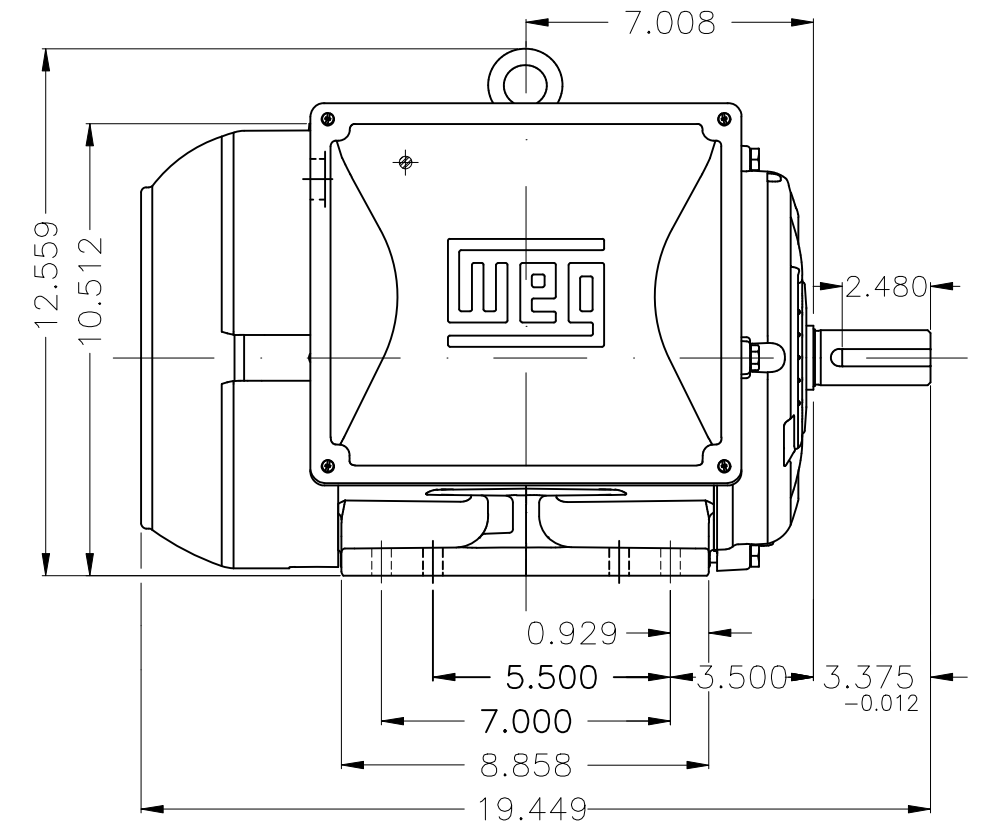
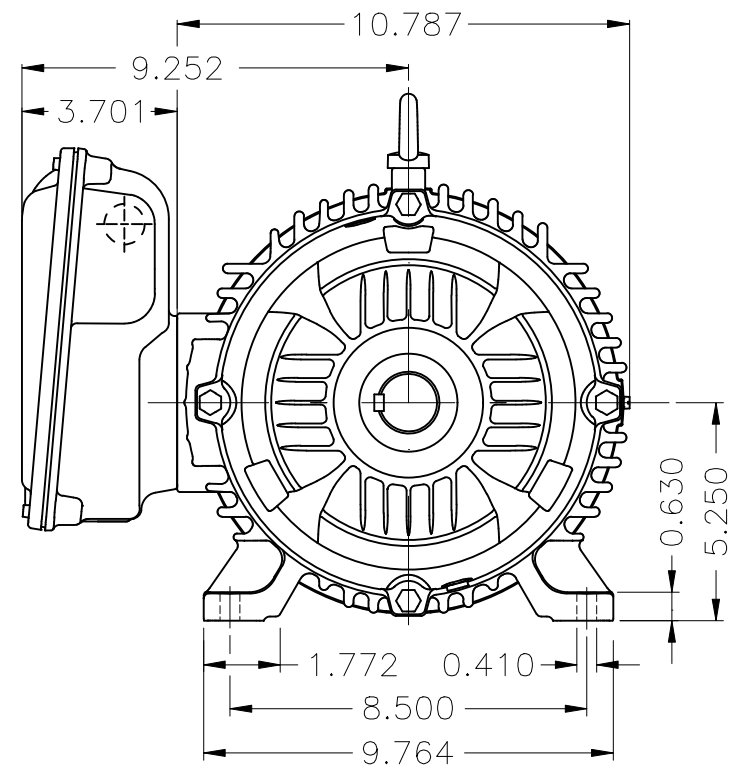
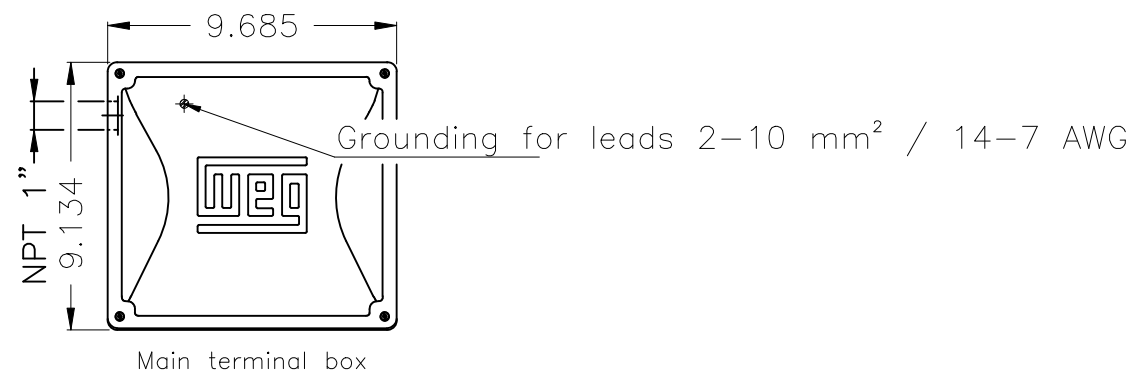


A
B
C
D
E



Mounting NEMA F-1							
Mounting B3R(D)							
ECM	LOC	SUMMARY OF MODIFICATIONS	EXECUTED	CHECKED	RELEASED	DATE	VER
EXECUTED	HYBRISUSER	SINGLE PH. MOTOR W22					
CHECKED		FRAME 213/5T IP55 TEFC					
RELEASED							
REL. DATE		WMO	Product Engineering	PREVIEW		WDD 00	
		Jaragua do Sul	SHEET		1 / 1		

5 HP 06 Poles 60 Hz



Dimensions in inches

XME A3