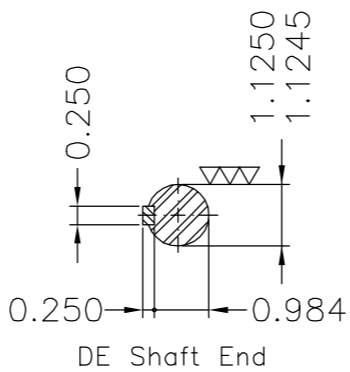
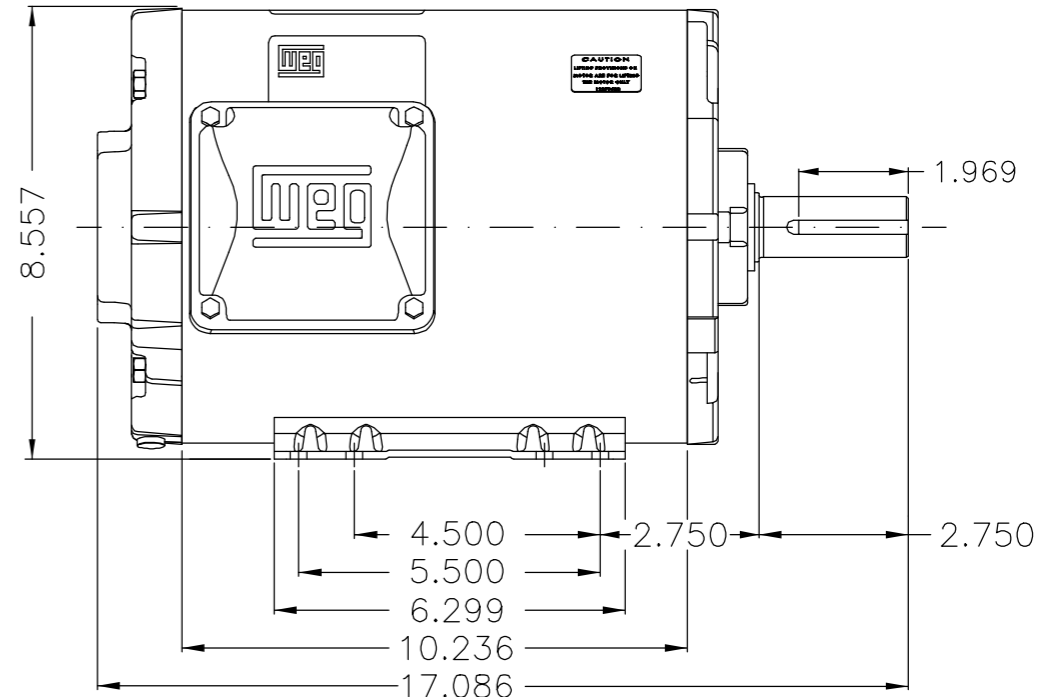
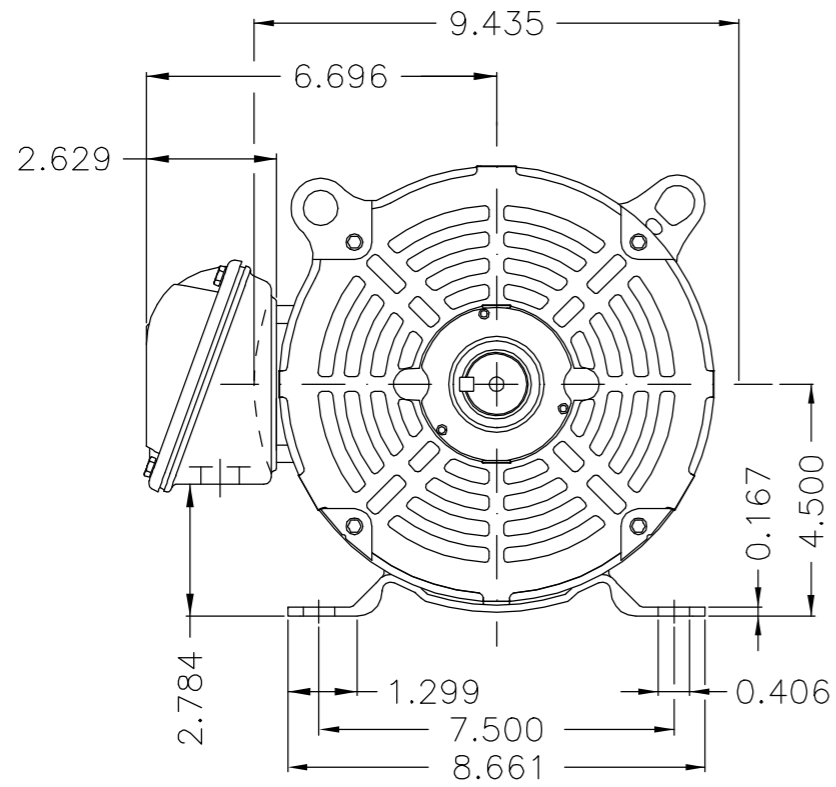
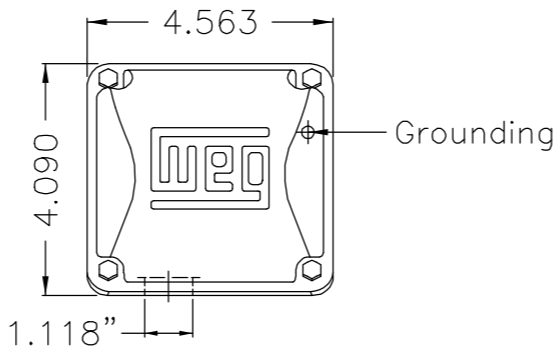


EIXO/SHAFT	
PADRÃO/STANDARD	X
OPCIONAL/OPTIONAL	
ESPECIAL/SPECIAL	

THIS IS AN UPDATED REVISION, THE PREVIOUS ONE MUST BE DISREGARDED.



Velocidade de ar mínima sobre a carcaça de 10 m/s / Minimum speed of air on the frame 10 m/s
 Plano de pintura 207N / Painting plan 207N
 Forma construtiva B3D / Mounting F-1/B3R(D)

WEG ELECTRIC CORP.

500001146687		ATUALIZADO PLANO DE PINTURA	MENSOR		ODORIZZI	15.03.2016	02
500001022342		CORRIGIDO COMPRIMENTO TOTAL	PATRICKL		EMERSONRH	08.04.2015	01
ECM	LOC	SUMMARY OF MODIFICATIONS	EXECUTED	CHECKED	RELEASED	DATE	VER
EXECUTED	PATRICKL	THREE P. MOTOR TEAO ROLLED STEEL HIGH EF FRAME 182/4T IP55	10003495778				
CHECKED			000	02			
RELEASED	EMERSONRH						
REL DT	08.04.2015	WMO	JARAGUA DO SUL	ENGENHARIA DE PRODUTO	SHEET	1 / 1	

2 HP 06 Poles 60Hz 413811645

UNCONTROLLED COPY RELEASED ZME A3