

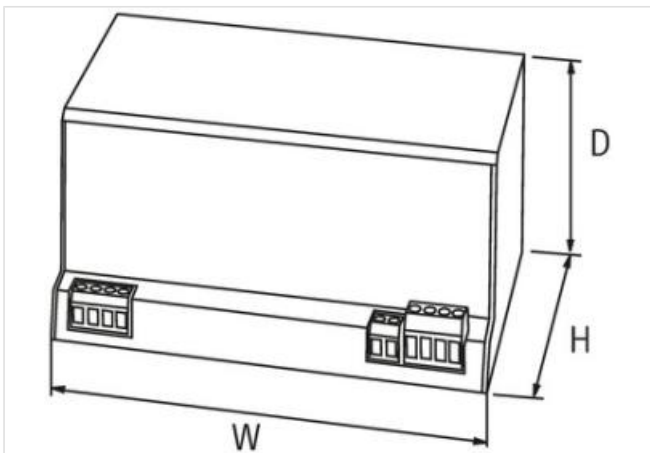
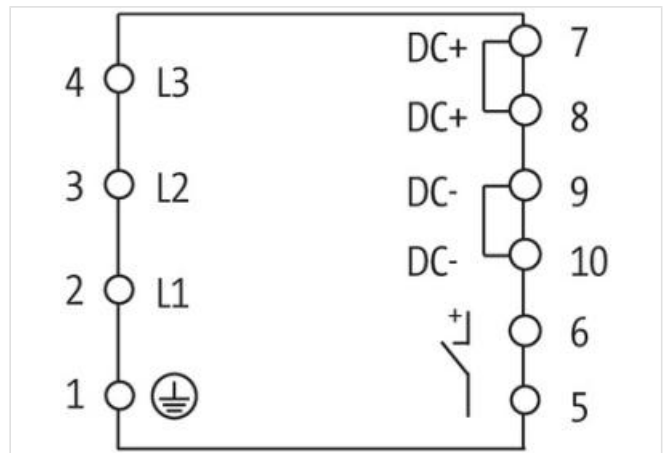
MPS POWER SUPPLY 3-PHASE,

IN: 340-460VAC OUT: 22-28V/10ADC

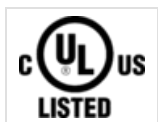
INPUT: 3× 360...440 V AC

OUTPUT: 22...28 V DC

Current: 10 A

[Link to Product](#)**Illustration**

Product may differ from Image

**General data**

| | |
|-------------------|--|
| Standards | IEC 61010-2-201, EN 61204-3, EN 55022 B |
| Mounting method | DIN-rail mountable TH35 (EN 60715), additional plate for screw mounting Art.-No. 89500 |
| Temperature range | 0...+60 °C (storage temperature -25...+85 °C) |
| Relative humidity | 30...90%, no condensation |
| Efficiency | 90% |
| Dimensions H×W×D | 132×198×97 mm |

Output

The information in this brochure has been compiled with the utmost care.

Liability for the correctness completeness and topicality of the information is restricted to gross negligence. Version: 2022-11-13

Murrelektronik Inc. | 1327 Northbrook Parkway, Suite 460 | Suwanee, GA 30024 | Fon +1 770 497-9292 | Fax +1 770 497-9391 | shop@murrinc.com | shop.murrinc.com

| | |
|-----------------------------|--|
| Output voltage | 24 V DC (SELV), $\pm 1\%$; 22...28 V adjustable |
| LED display | LED (green): in operation; LED (red): off; LED (yellow): pre-warning when overheated or overloaded |
| Phase monitoring | Switching off during 2-phase operation |
| Output current | 10 A (+60 °C); 12 A (+40 °C) |
| Mains failure bridging time | min. 3 ms (400 V AC) |
| Ripple | max. 20 mV eff/rms |
| Spikes | max. 100 mV ss/pp |
| Unit protection | short-circuit and overload protected |
| Parallel usage/serial usage | yes/yes |

Input

| | |
|-------------------------|-------------------|
| Input voltage | 3× 360...440 V AC |
| Primary fusing external | max. 10 A |
| Input current | 3× 0.42 A |
| Frequency | 50...60 Hz |

| | |
|--|-------|
| Product article number of manufacturer | 85065 |
|--|-------|