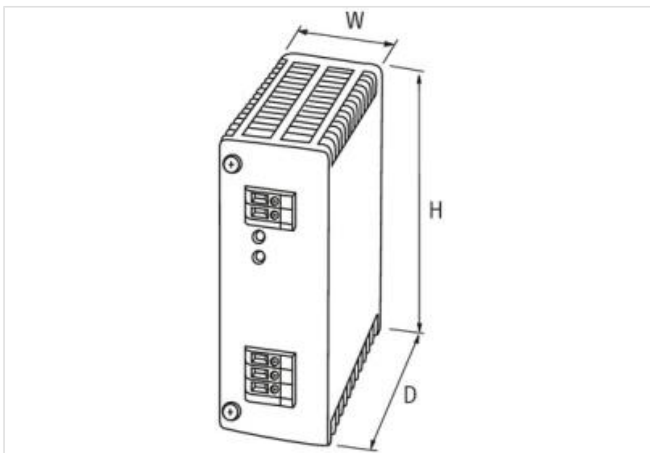
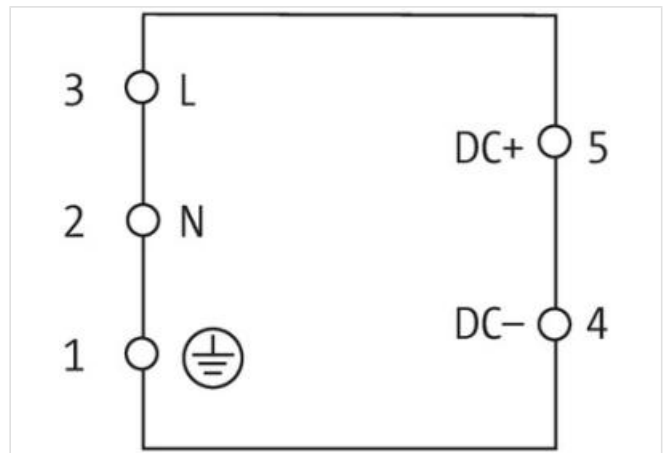


MCS POWER SUPPLY 1-PHASE,

IN: 90-265VAC OUT: 20-30V/2,5ADC

INPUT: 90...265 V AC
 OUTPUT: 20...30 V DC
 Current: 2.5 A

[Link to Product](#)**Illustration**

Product may differ from Image

**General data**

Standards	IEC 61010-2-201, EN 61204-3, EN 55022 B, EN 61000-3-2
Mounting method	DIN-rail mountable TH35 (EN 60715)
Temperature range	0...+60 °C (storage temperature -25...+85 °C)
Relative humidity	5...95%, no condensation
Efficiency	85%
Dimensions H×W×D	107.5×42×97.5 mm

Output

The information in this brochure has been compiled with the utmost care.

Liability for the correctness completeness and topicality of the information is restricted to gross negligence. Version: 2022-11-13

Output voltage	24 V DC (SELV), $\pm 1\%$; 20...30 V adjustable
LED display	LED (green) for output voltage
Output current	2.5 A (+60 °C); 3 A (+50 °C)
Mains failure bridging time	min. 10 ms (115 V AC); min. 70 ms (230 V AC)
Ripple	max. 20 mV eff/rms
Spikes	max. 100 mV ss/pp
Unit protection	short-circuit and overload protected
Parallel usage/serial usage	no/yes (max. 2 units)
Input	
Input voltage	90...265 V AC/110...300 V DC
Primary fusing external	max. 10 A
Input current	1.1 A (115 V AC); 0.5 A (230 V AC)
Inrush current after 1 ms	max. 22 A
Frequency	50...60 Hz
Product article number of manufacturer	85064