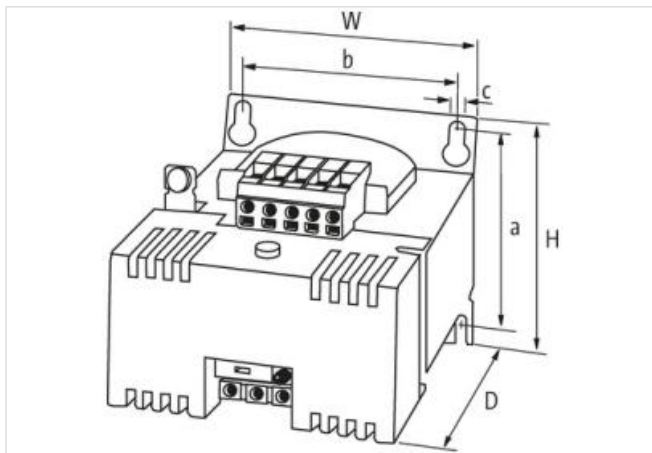
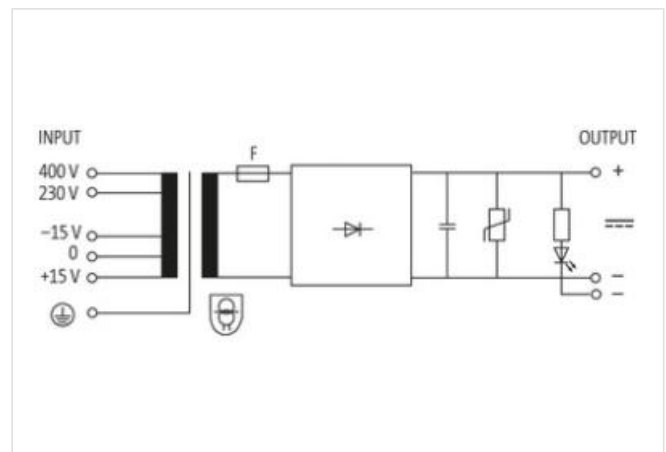


MEN POWER SUPPLY 1/2-PHASE, SMOOTHED

IN: 230/400+/-15VAC OUT: :24V/2,5ADC

Current: 2.5 A
 Output rating: 60 W
 with MES DIN-rail adapter

[Link to Product](#)**Illustration**

Product may differ from Image

**General data**

Standards	EN 61558-2-6, EN 62041 category I, EN 55011 B, EN 61000-3-2
Mounting method	DIN-rail mountable TH35-15 (EN 60715) or for key-hole mounting
Temperature range	-20...+60 °C, no condensation
Fixing centers a×b×c	65.5×64×4.8 mm
Dimensions H×W×D	83×84×124 mm

Output

Output voltage	24 V DC (SELV)
Output current (Ta 60/40 °C)	max. 2.5 A (230 V AC); 3 A (400 V AC)
Output suppression	LED, VDR and smoothing capacitor
Output fuse	7.5 A (automotive fuse FKS)
Ripple	max. 5% eff/rms
Input	
Input voltage	230/400 ±15 V AC
Input fuse (external)	0.8 A (T) (230 V AC); 5 A (T) (400 V AC)
Input current	0.5 A (230 V AC); 0.28 A (400 V AC)
Frequency	50...60 Hz
Product article number of manufacturer	8985350