

MEN POWER SUPPLY 1/2-PHASE, SMOOTHED

IN: 230/400+/-15VAC OUT: 24V/1ADC

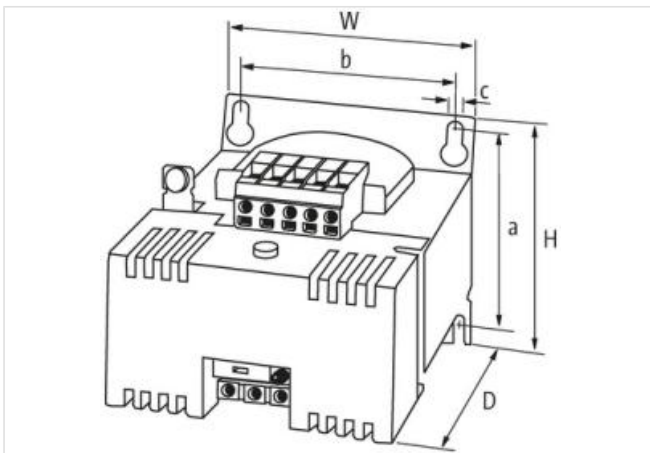
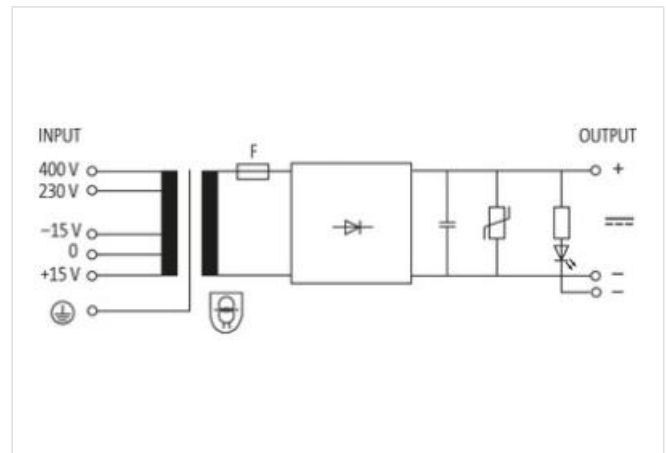
Current: 1 A

Output rating: 24 W

This power supply units meet the (EN 61000-3-2) standard for harmonic current.

[Link to Product](#)

Illustration



Product may differ from Image



General data

Standards	EN 61558-2-6, EN 62041 category I, EN 55011 B, EN 61000-3-2
Mounting method	Key-hole mounting
Temperature range	-20...+60 °C, no condensation
Fixing centers a×b×c	47.5×56×4.8 mm
Dimensions H×W×D	64×78×120 mm

Output

Output voltage	24 V DC (SELV)
Output current (Ta 60/40 °C)	max. 1 A (230 V AC); 1.5 A (400 V AC)
Output suppression	LED, VDR and smoothing capacitor
Output fuse	3 A (automotive fuse FKS)
Ripple	max. 5% eff/rms
Input	
Input voltage	230/400 ±15 V AC
Input fuse (external)	0.4 A (T) (230 V AC); 25 A (T) (400 V AC)
Input current	0.25 A (230 V AC); 1.45 A (400 V AC)
Frequency	50...60 Hz
Product article number of manufacturer	85349