

Product data sheet

Characteristics

QOB3301200

Mini circuit breaker, QO, 30A, 3 pole, 120/240 VAC, 10 kA, bolt on mount, aux switch 1A



Price* : 425.00 USD



Main

Product	Miniature circuit-breaker
Range	QO
Current Rating	30 A
Voltage Rating	120/240 V AC 240 V AC 120 V AC 48 V DC
Mounting Type	Bolt-on
Number of Poles	3P
Circuit Breaker Type	Standard
Ratings	HACR rated
Electrical Connection	Pressure plate
Options	Auxiliary switch 120 V AC 1A

Complementary

Interrupt Rating	10 kA 120/240 V AC 50/60 Hz 10 kA 240 V AC 50/60 Hz 10 kA 120 V AC 50/60 Hz 5 kA 48 V DC
Number of Panel Spaces	4
Wire Size	AWG 14...AWG 8 copper or aluminium
Tightening Torque	44.25 lbf.in (5 N.m) 0.02...0.04 in ² (10...25 mm ²) (AWG 8...AWG 2)
Height	3 in (76.20 mm)
Width	3 in (76.20 mm)
Depth	2.91 in (73.91 mm)

* Price is "List Price" and may be subject to a trade discount – check with your local distributor or retailer for actual price.

Environment

Certifications	UL Listed CSA
Ambient Rating	104 °F (40 °C)

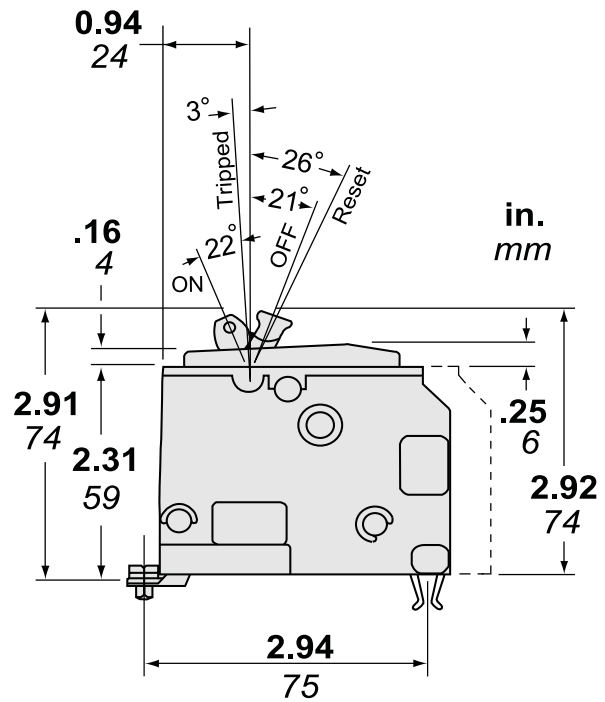
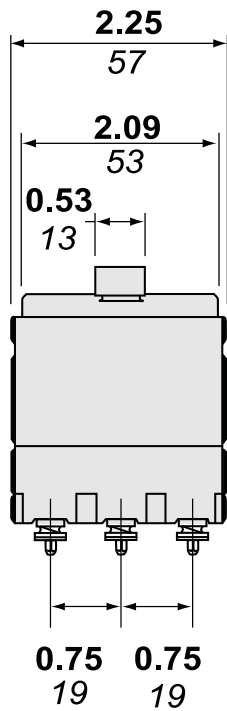
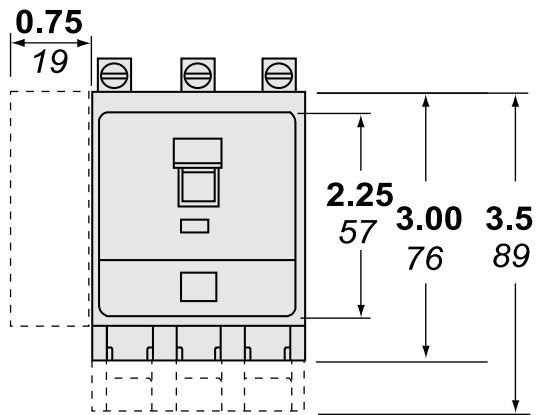
Ordering and shipping details

Category	00015-QOB CIRCUIT BREAKERS
Discount Schedule	DE2
Package weight(Lbs)	19.36 oz (548.847 g)
Returnability	No
Country of origin	MX

Contractual warranty

Warranty	18 months
----------	-----------

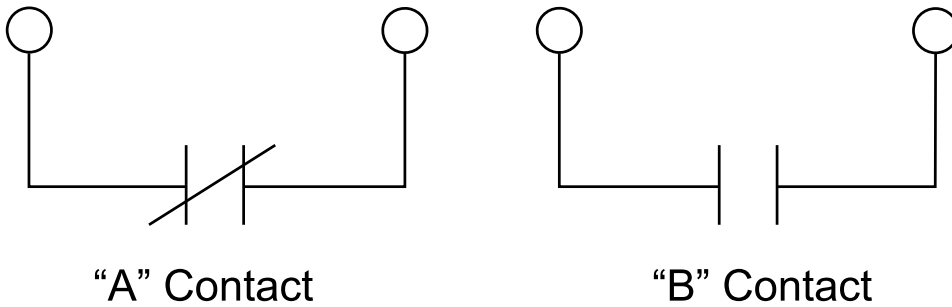
Dimensions



Dimensions are approximate. Refer to technical documentation for additional detail.

Auxiliary Switch Accessory

Circuit Breaker ON



Circuit Breaker OFF or Tripped

