

Product data sheet

Characteristics

QOB280VH1021

Mini circuit breaker, QO, 80A, 2 pole, 120/240 VAC, 22 kA, bolt on mount, AC shunt trip



Price* : 573.00 USD



Main

Product	Miniature circuit-breaker
Range	QO
Current Rating	80 A
Voltage Rating	120/240 V AC 240 V AC 120 V AC
Mounting Type	Bolt-on
Number of Poles	2P
Circuit Breaker Type	Standard
Ratings	HACR rated
Electrical Connection	Box lugs
Options	Shunt trip 120/208/240 V AC

Complementary

Interrupt Rating	22 kA 120/240 V AC 50/60 Hz 22 kA 240 V AC 50/60 Hz 22 kA 120 V AC 50/60 Hz
Number of Panel Spaces	3
Wire Size	AWG 4...AWG 2/0 copper or aluminium
Tightening Torque	40.71 lbf.in (4.6 N.m)
Height	3.5 in (88.90 mm)
Width	2.25 in (57.15 mm)
Depth	2.91 in (73.91 mm)

Environment

Certifications	UL Listed CSA
----------------	------------------

* Price is "List Price" and may be subject to a trade discount – check with your local distributor or retailer for actual price.

Ambient Rating	104 °F (40 °C)
----------------	----------------

Ordering and shipping details

Category	00015-QOB CIRCUIT BREAKERS
Discount Schedule	DE2
Package weight(Lbs)	16.32 oz (462.664 g)
Returnability	No
Country of origin	MX

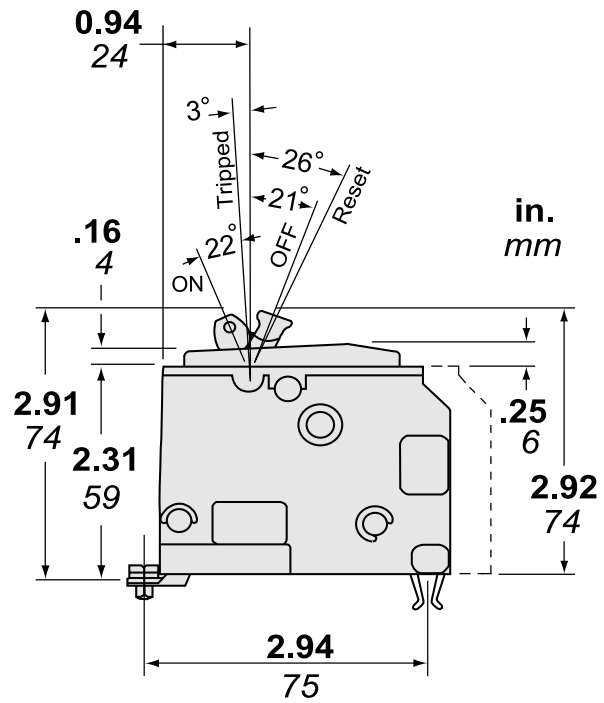
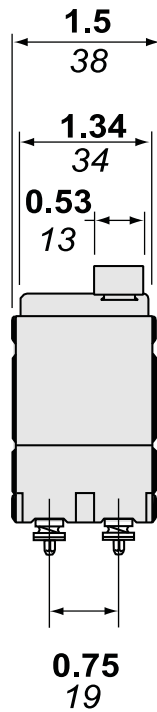
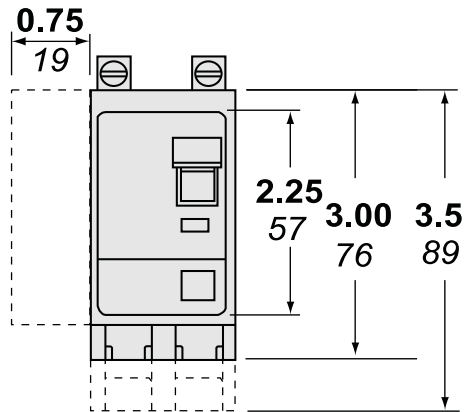
Offer Sustainability

Sustainable offer status	Green Premium product
REACH free of SVHC	Yes
EU RoHS Directive	Compliant EU RoHS Declaration
Toxic heavy metal free	Yes
Mercury free	Yes
RoHS exemption information	Yes
China RoHS Regulation	China RoHS declaration
Environmental Disclosure	Product Environmental Profile
Halogen content performance	Halogen free product

Contractual warranty

Warranty	18 months
----------	-----------

Dimensions



Dimensions are approximate. Refer to technical documentation for additional detail.

Wiring Diagram

Shunt Trip Wiring Diagram

