

# Product data sheet

## Characteristics

# QOB170VH

Mini circuit breaker, QO, 70A, 1 pole, 120/240 VAC, 22 kA, bolt on mount

Product availability : Non-Stock - Not normally stocked in distribution facility



Price\* : 147.96 USD



### Main

Product	Miniature circuit-breaker
Range	QO
Current Rating	70 A
Voltage Rating	120/240 V AC 120 V AC
Mounting Type	Bolt-on
Number of Poles	1P
Circuit Breaker Type	Standard
Ratings	HACR rated
Electrical Connection	Box lugs

### Complementary

Interrupt Rating	22 kA 120/240 V AC 50/60 Hz 22 kA 120 V AC 50/60 Hz
Number of Panel Spaces	1
Wire Size	AWG 8...AWG 2 copper or aluminium
Tightening Torque	40.71 lbf.in (4.6 N.m)
Height	3.12 in (79.25 mm)
Width	1.5 in (38.10 mm)
Depth	2.91 in (73.91 mm)

### Environment

Certifications	UL Listed CSA
Ambient Rating	104 °F (40 °C)

\* Price is "List Price" and may be subject to a trade discount – check with your local distributor or retailer for actual price.

## Ordering and shipping details

Category	00015 - QOB CIRCUIT BREAKERS
Discount Schedule	DE2
GTIN	00785901964391
Nbr. of units in pkg.	1
Package weight(Lbs)	5.76 oz (163.293 g)
Returnability	No

## Packing Units

Unit Type of Package 1	PCE
Package 1 Height	3.11 in (7.9 cm)
Package 1 width	1.50 in (3.8 cm)
Package 1 Length	2.91 in (7.4 cm)

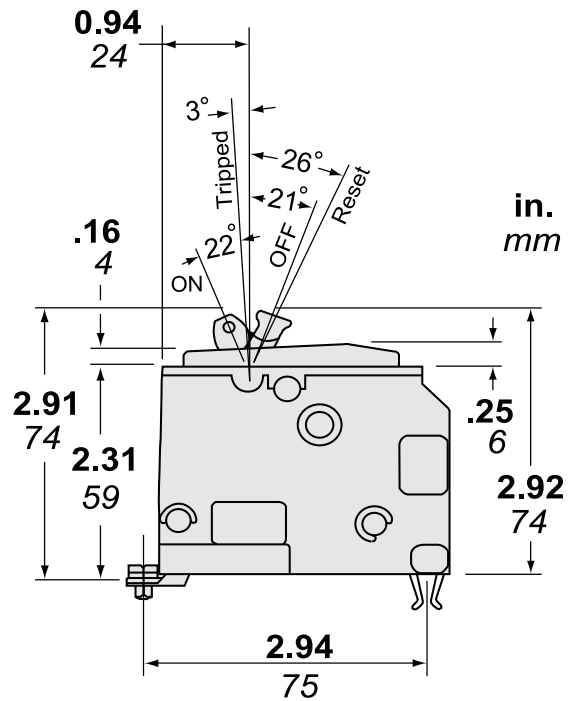
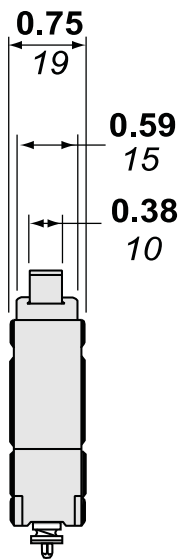
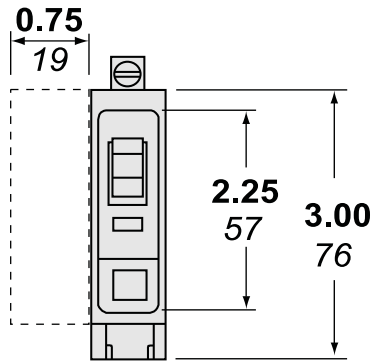
## Offer Sustainability

Sustainable offer status	Green Premium product
REACH Regulation	<a href="#">REACH Declaration</a>
REACH free of SVHC	Yes
EU RoHS Directive	Compliant <a href="#">EU RoHS Declaration</a>
Mercury free	Yes
RoHS exemption information	<a href="#">Yes</a>
China RoHS Regulation	<a href="#">China RoHS declaration</a> Product out of China RoHS scope. Substance declaration for your information.
Environmental Disclosure	<a href="#">Product Environmental Profile</a>
Halogen content performance	Halogen free product

## Contractual warranty

Warranty	18 months
----------	-----------

Dimensions



Dimensions are approximate. Refer to technical documentation for additional detail.