

# QOB140VH1021

Mini circuit breaker, QO, 40A, 1 pole, 120/240 VAC, 22 kA, bolt on mount, AC shunt trip



## Main

Product	Miniature circuit-breaker
Range	QO
Current Rating	40 A
Voltage Rating	120/240 V AC 120 V AC
Mounting Type	Bolt-on
Number of Poles	1P
Circuit Breaker Type	Standard
Ratings	HACR rated
Electrical Connection	Pressure plate
Options	Shunt trip 120/208/240 V AC

## Complementary

Interrupt Rating	22 kA 120/240 V AC 50/60 Hz 22 kA 120 V AC 50/60 Hz
Number of Panel Spaces	2
Wire Size	AWG 14...AWG 8 copper or aluminium
Tightening Torque	44.25 lbf.in (5 N.m) 0.02...0.04 in <sup>2</sup> (10...25 mm <sup>2</sup> ) (AWG 8...AWG 2)
Height	3 in (76.20 mm)
Depth	2.91 in (73.91 mm)
Width	1.5 in (38.10 mm)

## Environment

Certifications	UL Listed CSA
Ambient Rating	104 °F (40 °C)

### Ordering and shipping details

---

Package weight(Lbs)	16.00 oz (453.592 g)
---------------------	----------------------

---

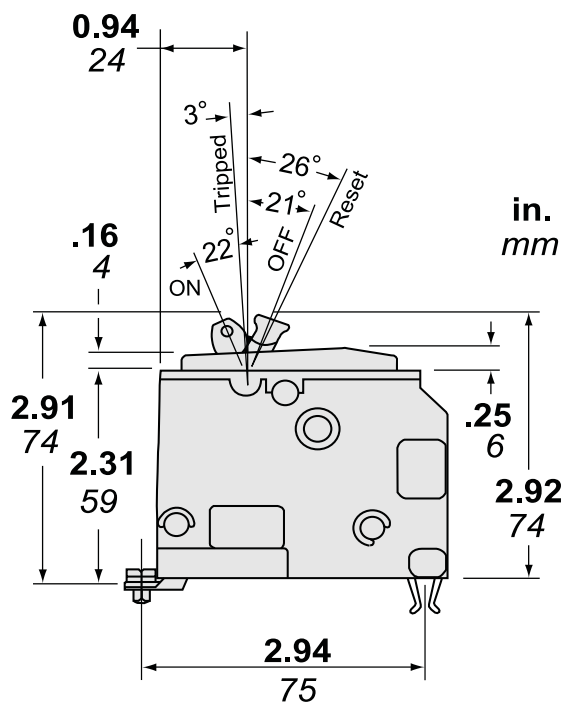
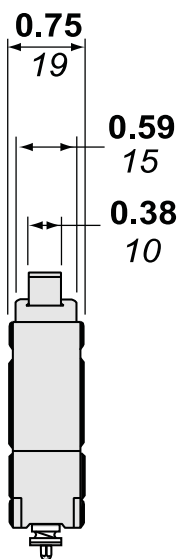
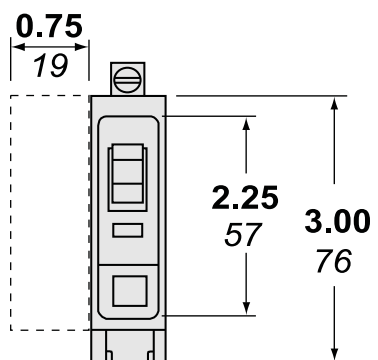
### Offer Sustainability

---

REACH free of SVHC	Yes
EU RoHS Directive	Compliant <a href="#">EU RoHS Declaration</a>
Toxic heavy metal free	Yes
Mercury free	Yes
RoHS exemption information	<a href="#">Yes</a>
China RoHS Regulation	<a href="#">China RoHS declaration</a> Pro-active China RoHS declaration (out of China RoHS legal scope)

---

Dimensions



Dimensions are approximate. Refer to technical documentation for additional detail.

Wiring Diagram

Shunt Trip Wiring Diagram

