

# QO36035

Mini circuit breaker, QO, 60A, 3 pole, 120/240 VAC, 10 kA, plug in mount, 50 degrees C



Price\* : 296.00 USD



## Main

Product	Miniature circuit-breaker
Range	QO
Current Rating	60 A
Voltage Rating	120/240 V AC 240 V AC 120 V AC 48 V DC
Mounting Type	Plug-in
Number of Poles	3P
Circuit Breaker Type	Standard
Ratings	HACR rated
Electrical Connection	Box lugs

## Complementary

Interrupt Rating	10 kA 120/240 V AC 50/60 Hz 10 kA 240 V AC 50/60 Hz 10 kA 120 V AC 50/60 Hz 5 kA 48 V DC
Number of Panel Spaces	3
Wire Size	AWG 8...AWG 2 copper or aluminium
Tightening Torque	40.71 lbf.in (4.6 N.m)
Height	3.12 in (79.25 mm)
Depth	2.91 in (73.91 mm)
Width	2.25 in (57.15 mm)

## Environment

Certifications	UL Listed
----------------	-----------

\* Price is "List Price" and may be subject to a trade discount – check with your local distributor or retailer for actual price.

CSA

---

Ambient Rating	122 °F (50 °C)
----------------	----------------

---

### Ordering and shipping details

---

Category	00081-QO SPECIALTY CB,3 POLE
Discount Schedule	DE2A
Package weight(Lbs)	14.56 oz (412.769 g)
Returnability	No
Country of origin	MX

---

### Packing Units

---

Package 1 Height	2.20 in (5.588 cm)
Package 1 width	3.10 in (7.874 cm)
Package 1 Length	3.30 in (8.382 cm)

---

### Offer Sustainability

---

EU RoHS Directive	Under investigation
-------------------	---------------------

---

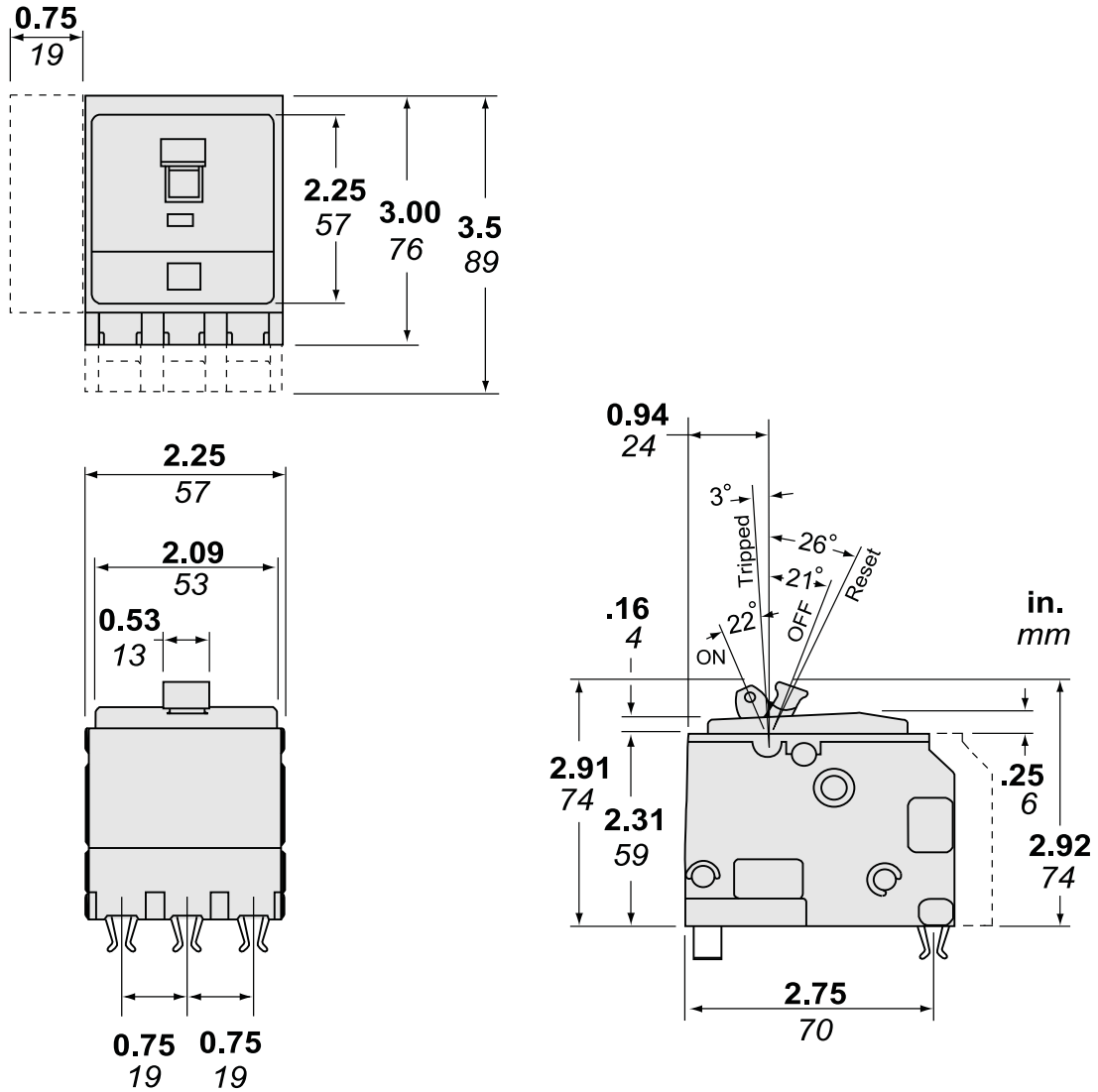
### Contractual warranty

---

Warranty	18 months
----------	-----------

---

Dimensions



Dimensions are approximate. Refer to technical documentation for additional detail.