

# Product data sheet

## Characteristics

# QOB120CP

Mini circuit breaker, QO, 20A, 1 pole, 120/240 VAC, 10 kA, bolt on mount, consumer pack

Product availability : Non-Stock - Not normally stocked in distribution facility



Price\* : 39.80 USD



### Main

Product	Miniature circuit-breaker
Range	QO
Current Rating	20 A
Voltage Rating	120/240 V AC 120 V AC 48 V DC
Mounting Type	Bolt-on
Number of Poles	1P
Circuit Breaker Type	Standard
Ratings	HACR and Switching Duty rated
Electrical Connection	Pressure plate
Type of Packing	Consumer packaging

### Complementary

Interrupt Rating	10 kA 120/240 V AC 50/60 Hz 10 kA 120 V AC 50/60 Hz 5 kA 48 V DC
Number of Panel Spaces	1
Wire Size	AWG 14...AWG 8 copper or aluminium
Tightening Torque	44.25 lbf.in (5 N.m) 0.02...0.04 in <sup>2</sup> (10...25 mm <sup>2</sup> ) (AWG 8...AWG 2)
Height	3 in (76.20 mm)
Width	0.75 in (19.05 mm)
Depth	2.91 in (73.91 mm)

### Environment

Certifications	UL Listed
----------------	-----------

\* Price is "List Price" and may be subject to a trade discount – check with your local distributor or retailer for actual price.

CSA

Ambient Rating 104 °F (40 °C)

## Ordering and shipping details

Category	00015 - QOB CIRCUIT BREAKERS
Discount Schedule	DE2
GTIN	00785901989394
Nbr. of units in pkg.	1
Package weight(Lbs)	4.30 oz (122 g)
Returnability	Yes
Country of origin	MX

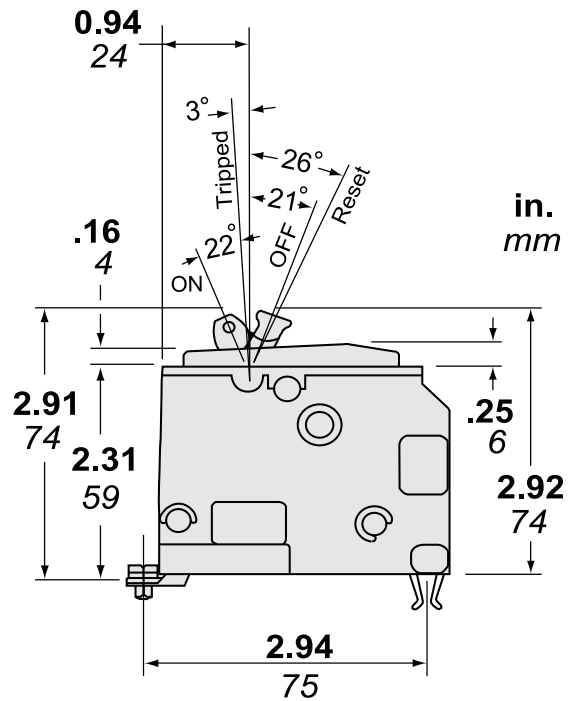
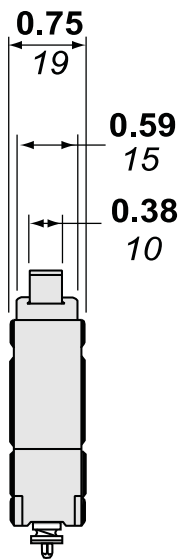
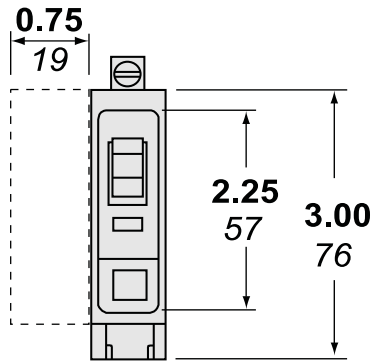
## Packing Units

Unit Type of Package 1	PCE
Package 1 Height	2.50 in (6.35 cm)
Package 1 width	0.70 in (1.778 cm)
Package 1 Length	2.90 in (7.366 cm)
Unit Type of Package 2	BB1
Number of Units in Package 2	10
Package 2 Weight	2.86 lb(US) (1.297 kg)
Package 2 Height	3.40 in (8.636 cm)
Package 2 width	0.70 in (1.778 cm)
Package 2 Length	7.80 in (19.812 cm)
Unit Type of Package 3	CAR
Number of Units in Package 3	100
Package 3 Weight	29.16 lb(US) (13.227 kg)
Package 3 Height	7.90 in (20.066 cm)
Package 3 width	8.00 in (20.32 cm)
Package 3 Length	17.00 in (43.18 cm)

## Offer Sustainability

REACH Regulation	<a href="#">REACH Declaration</a>
REACH free of SVHC	Yes
EU RoHS Directive	Compliant <a href="#">EU RoHS Declaration</a>
Mercury free	Yes
RoHS exemption information	<a href="#">Yes</a>
China RoHS Regulation	<a href="#">China RoHS declaration</a> Product out of China RoHS scope. Substance declaration for your information.

Dimensions



Dimensions are approximate. Refer to technical documentation for additional detail.