

Product data sheet

Characteristics

QO360CP

Mini circuit breaker, QO, 60A, 3 pole, 120/240 VAC, 10 kA, plug in mount, consumer pack

Product availability : Stock - Normally stocked in distribution facility



Price* : 248.00 USD



Main

Product	Miniature circuit-breaker
Range	QO
Current Rating	60 A
Voltage Rating	120/240 V AC 240 V AC 120 V AC 48 V DC
Mounting Type	Plug-in
Number of Poles	3P
Circuit Breaker Type	Standard
Ratings	HACR rated
Electrical Connection	Box lugs
Type of Packing	Consumer packaging

Complementary

Interrupt Rating	10 kA 120/240 V AC 50/60 Hz 10 kA 240 V AC 50/60 Hz 10 kA 120 V AC 50/60 Hz 5 kA 48 V DC
Number of Panel Spaces	3
Wire Size	AWG 8...AWG 2 copper or aluminium
Tightening Torque	44.25 lbf.in (5 N.m) 0.02...0.04 in ² (10...25 mm ²) (AWG 8...AWG 2)
Height	3.12 in (79.25 mm)
Width	2.25 in (57.15 mm)
Depth	2.91 in (73.91 mm)

* Price is "List Price" and may be subject to a trade discount – check with your local distributor or retailer for actual price.

Environment

Certifications	UL Listed CSA
Ambient Rating	104 °F (40 °C)

Ordering and shipping details

Category	01330 - QO-THREE POLE BRKRS.
Discount Schedule	CPQ
GTIN	00047569071881
Nbr. of units in pkg.	1
Package weight(Lbs)	13.26 oz (376 g)
Returnability	Yes
Country of origin	MX

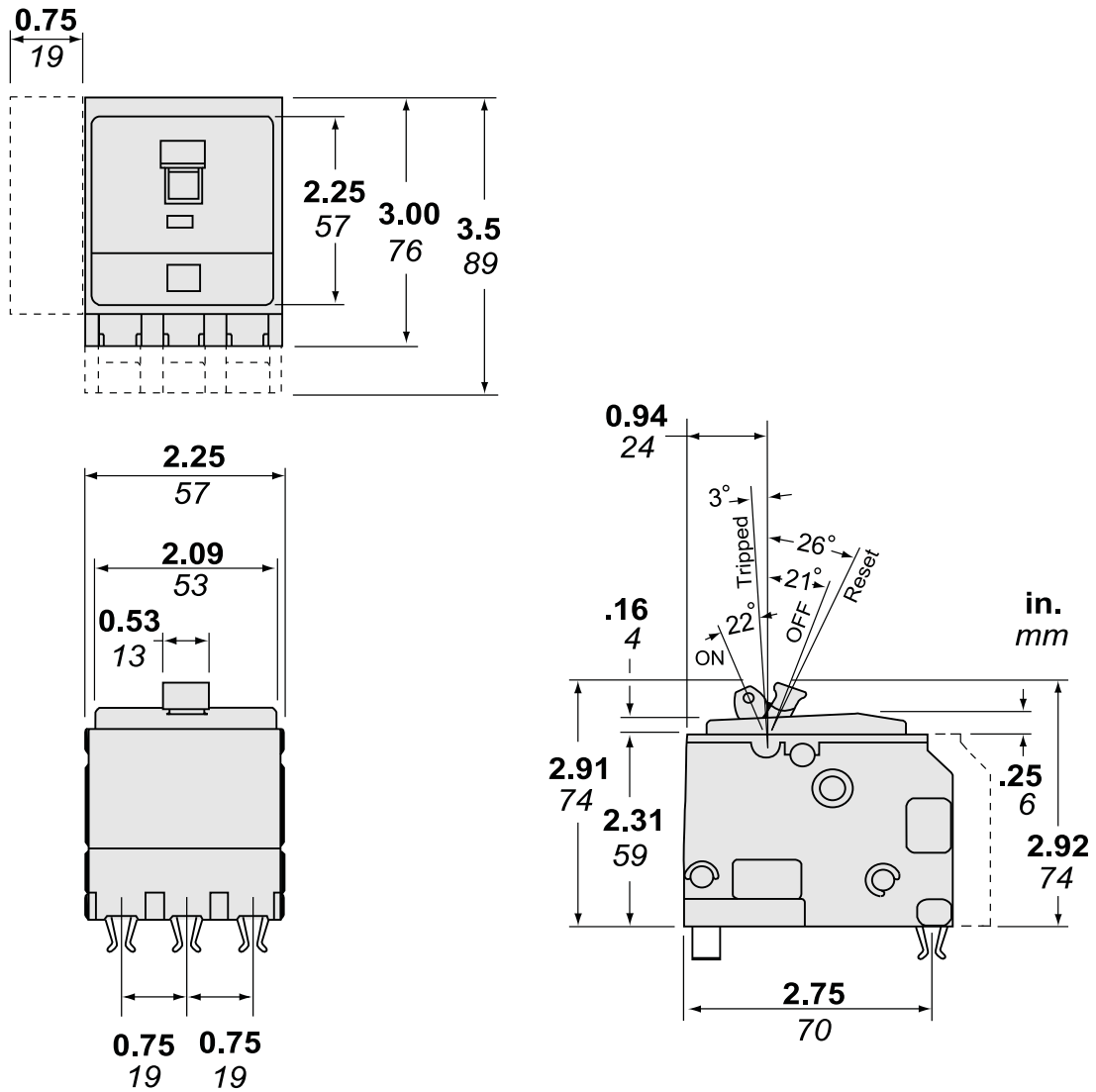
Packing Units

Unit Type of Package 1	PCE
Package 1 Height	3.30 in (8.382 cm)
Package 1 width	2.30 in (5.842 cm)
Package 1 Length	3.20 in (8.128 cm)
Unit Type of Package 2	BB1
Number of Units in Package 2	3
Package 2 Weight	2.59 lb(US) (1.175 kg)
Package 2 Height	3.60 in (9.144 cm)
Package 2 width	2.30 in (5.842 cm)
Package 2 Length	6.80 in (17.272 cm)
Unit Type of Package 3	CAR
Number of Units in Package 3	36
Package 3 Weight	31.84 lb(US) (14.442 kg)
Package 3 Height	3.50 in (8.89 cm)
Package 3 width	14.40 in (36.576 cm)
Package 3 Length	21.60 in (54.864 cm)

Offer Sustainability

Sustainable offer status	Green Premium product
RECh Regulation	RECh Declaration
RECh free of SVHC	Yes
EU RoHS Directive	Compliant EU RoHS Declaration
Mercury free	Yes
RoHS exemption information	Yes
China RoHS Regulation	China RoHS declaration Product out of China RoHS scope. Substance declaration for your information.
Environmental Disclosure	Product Environmental Profile
Halogen content performance	Halogen free product

Dimensions



Dimensions are approximate. Refer to technical documentation for additional detail.