

# ILA1F571TB1A0

integrated drive ILA with servo motor - 24..36 V -  
CANopen - PCB connector

Product availability : Non-Stock - Not normally stocked in distribution facility



Price\* : 1,245.00 USD



## Main

|                           |  |
|---------------------------|--|
| Range of product          | Lexium integrated drive                  |
| Product or component type | Motion integrated drive                  |
| Device short name         | ILA                                      |
| Motor type                | AC Synchronous Servo Motor               |
| Number of motor poles     | 6  |
| Phase                     | Single phase                             |
| [Us] rated supply voltage | 24 V<br>36 V                             |
| Network type              | DC                                       |
| Communication interface   | CANopen DS301, Integrated                |
| Length                    | 5.72 in (145.3 mm)                       |
| Winding type              | High speed of rotation and medium torque |
| Electrical connection     | Printed circuit board connector          |
| Holding brake             | Without                                  |
| Gear box type             | Without                                  |
| Nominal speed             | 5100 rpm 24 V<br>7500 rpm 36 V           |
| Nominal torque            | 2.30 lbf.in (0.26 N.m)                   |

## Complementary

|                          |   |
|--------------------------|---|
| Transmission rate        | 50, 100, 125, 250, 500, 800 and 1000 kbauds |
| Mounting support         | Flange                                      |
| Motor flange size        | 2.24 in (57 mm)                             |
| Number of motor stacks   | 1   |
| Centring collar diameter | 1.97 in (50 mm)                             |

\* Price is "List Price" and may be subject to a trade discount – check with your local distributor or retailer for actual price.

|                                       |   |
|---------------------------------------|---|
| Centring collar depth                 | 0.06 in (1.6 mm)  |
| Number of mounting holes              | 4   |
| Mounting holes diameter               | 0.20 in (5.2 mm)  |
| Circle diameter of the mounting holes | 2.62 in (66.6 mm)   |
| Feedback type                         | Single turn encoder   |
| Shaft end                             | Untapped  |
| Second shaft                          | Without second shaft end  |
| Shaft diameter                        | 0.35 in (9 mm)  |
| Shaft length                          | 0.79 in (20 mm)   |
| Supply voltage limits                 | 18...40 V   |
| Current consumption                   | 11000 mA peak<br>7500 mA maximum continuous   |
| Associated fuse rating                | 10 A  |
| Input/Output type                     | 4 signals (each be used as input or output)   |
| Voltage state 0 guaranteed            | -3...4.5 V  |
| Voltage state 1 guaranteed            | 15...30 V   |
| Discrete input current                | 10 mA at 24 V on/STO_A safety input<br>3 mA at 24 V on/STO_B safety input<br>2 mA at 24 V 24 V signal interface |
| Discrete output voltage               | 23...25 V   |
| Maximum switching current             | 100 mA per output<br>200 mA total   |
| Protection type                       | Short circuit of the output voltage<br>Safe torque off<br>Overload of output voltage                            |
| Peak stall torque                     | 3.81 lbf.in (0.43 N.m)  |
| Continuous stall torque               | 2.30 lbf.in (0.26 N.m)  |
| Speed feedback resolution             | 16384 points/turn   |
| Accuracy error                        | +/- 0.05 °  |
| Rotor inertia                         | 0.1 kg.cm <sup>2</sup>  |
| Maximum radial force Fr               | 89 N  |
| Maximum axial force Fa                | 104 N force pressure)<br>104 N tensile force)   |
| Service life in hours                 | 20000 h bearing   |
| Marking                               | CE  |
| Type of cooling                       | Natural convection  |
| Net Weight                            | 3.09 lb(US) (1.4 kg)  |

## Environment

|   |   |
|---|---|
| Standards   | EN 61800-3:2001, second environment<br>EN/IEC 61800-3<br>EN 50347<br>IEC 60072-1<br>EN 61800-3 : 2001-02<br>IEC 61800-3, Ed 2<br>EN/IEC 50178 |
| Product certifications                                | UL<br>CUL<br>TÜV  |
| Ambient air temperature for operation                 | 122...149 °F (50...65 °C) with power derating of 2 % per °C)<br>32...122 °F (0...50 °C) without derating)                                     |
| Permissible ambient air temperature around the device | 221 °F (105 °C) power amplifier<br>230 °F (110 °C) motor  |
| Ambient air temperature for storage                   | -13...158 °F (-25...70 °C)  |
| Operating altitude                                    | <= 3280.84 ft (1000 m) without derating   |
| Relative humidity                                     | 15...85 % without condensation  |
| Vibration resistance                                  | 20 m/s <sup>2</sup> 10...500 Hz) 10 cycles EN/IEC 60068-2-6   |

|                         |   |
|-------------------------|---|
| Shock resistance        | 150 m/s <sup>2</sup> 1000 shocks EN/IEC 60068-2-29                                  |
| IP degree of protection | Shaft bushing IP41 EN/IEC 60034-5<br>Total except shaft bushing IP54 EN/IEC 60034-5 |

### Ordering and shipping details

|                       |                                     |
|-----------------------|-------------------------------------|
| Category              | 18288 - LEXIUM INTEGRATED DRIVES II |
| Discount Schedule     | PC56                                |
| GTIN                  | 03389119225441                      |
| Nbr. of units in pkg. | 1                                   |
| Package weight(Lbs)   | 3.82 lb(US) (1.733 kg)              |
| Returnability         | No                                  |
| Country of origin     | DE                                  |

### Packing Units

|                        |                 |
|------------------------|-----------------|
| Unit Type of Package 1 | PCE             |
| Package 1 Height       | 4.33 in (11 cm) |
| Package 1 width        | 6.69 in (17 cm) |
| Package 1 Length       | 9.45 in (24 cm) |

### Offer Sustainability

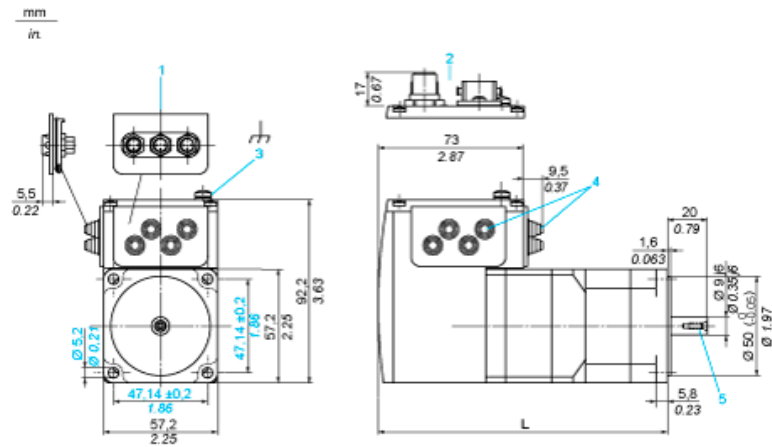
|                            |   |
|----------------------------|---|
| Sustainable offer status   | Green Premium product   |
| California proposition 65  | WARNING: This product can expose you to chemicals including: Lead and lead compounds, which is known to the State of California to cause cancer and birth defects or other reproductive harm. For more information go to <a href="http://www.P65Warnings.ca.gov">www.P65Warnings.ca.gov</a> |
| REACH Regulation           | <a href="#">REACH Declaration</a>   |
| REACH free of SVHC         | Yes   |
| EU RoHS Directive          | Pro-active compliance (Product out of EU RoHS legal scope)<br><a href="#">EU RoHS Declaration</a>   |
| Mercury free               | Yes   |
| RoHS exemption information | <a href="#">Yes</a>   |
| China RoHS Regulation      | <a href="#">China RoHS declaration</a>  |
| Environmental Disclosure   | <a href="#">Product Environmental Profile</a>   |
| Circularity Profile        | <a href="#">End of Life Information</a>   |
| WEEE                       | The product must be disposed on European Union markets following specific waste collection and never end up in rubbish bins.  |
| PVC free                   | Yes   |

### Contractual warranty

|          |           |
|----------|-----------|
| Warranty | 18 months |
|----------|-----------|

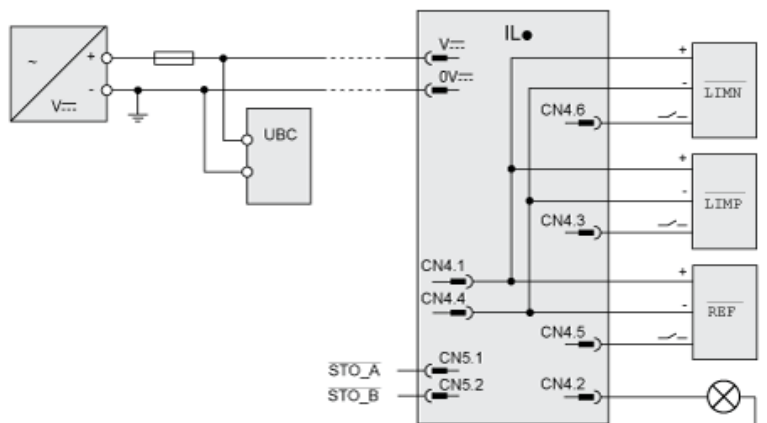
Integrated Drive without Holding Brake

Dimensions

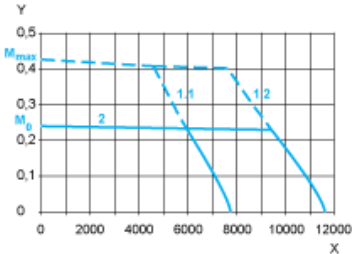


- 1 Accessories: I/O signal insert with industrial connectors
- 2 Option: industrial connectors
- 3 Earth (ground) terminal
- 4 Accessories: cable entries  $\varnothing = 3 \dots 9 \text{ mm} / 0.12 \dots 0.35 \text{ in.}$
- 5 Centring hole DIN 332 - DS M3
- L 145.3 mm/5.72 in.

## Connection Example with 4 I/O Signals



Torque Characteristics



- X Speed of rotation in rpm
- Y Torque in Nm
- 1.1 Max. torque at 24 V
- 1.2 Max. torque at 36 V
- 2 Continuous torque