



Price* : 1,805.00 USD



Main

| | |
|---------------------------|--|
| Range of product | Lexium integrated drive |
| Product or component type | Motion integrated drive |
| Device short name | ILA |
| Motor type | AC Synchronous Servo Motor |
| Number of motor poles | 6 |
| Phase | Single phase |
| [Us] rated supply voltage | 24 V 36 V |
| Network type | DC |
| Communication interface | CANopen DS301, Integrated |
| Length | 7.45 in (189.3 mm) |
| Winding type | High speed of rotation and medium torque |
| Electrical connection | Printed circuit board connector |
| Holding brake | Without |
| Gear box type | Without |
| Nominal speed | 5100 rpm 24 V 7500 rpm 36 V |
| Nominal torque | 2.30 lbf.in (0.26 N.m) |

Complementary

| | |
|--------------------------|---|
| Transmission rate | 50, 100, 125, 250, 500, 800 and 1000 kbauds |
| Mounting support | Flange |
| Motor flange size | 2.24 in (57 mm) |
| Number of motor stacks | 1 |
| Centring collar diameter | 1.97 in (50 mm) |

* Price is "List Price" and may be subject to a trade discount – check with your local distributor or retailer for actual price.

| | |
|---------------------------------------|---|
| Centring collar depth | 0.06 in (1.6 mm) |
| Number of mounting holes | 4 |
| Mounting holes diameter | 0.20 in (5.2 mm) |
| Circle diameter of the mounting holes | 2.62 in (66.6 mm) |
| Feedback type | Multi turn encoder |
| Shaft end | Untapped |
| Second shaft | Without second shaft end |
| Shaft diameter | 0.35 in (9 mm) |
| Shaft length | 0.79 in (20 mm) |
| Supply voltage limits | 18...40 V |
| Current consumption | 11000 mA peak 7500 mA maximum continuous |
| Associated fuse rating | 10 A |
| Input/Output type | 4 signals (each be used as input or output) |
| Voltage state 0 guaranteed | -3...4.5 V |
| Voltage state 1 guaranteed | 15...30 V |
| Discrete input current | 10 mA at 24 V on/STO_A safety input 3 mA at 24 V on/STO_B safety input 2 mA at 24 V 24 V signal interface |
| Discrete output voltage | 23...25 V |
| Maximum switching current | 100 mA per output 200 mA total |
| Protection type | Safe torque off Overload of output voltage Short circuit of the output voltage |
| Peak stall torque | 3.81 lbf.in (0.43 N.m) |
| Continuous stall torque | 2.30 lbf.in (0.26 N.m) |
| Speed feedback resolution | 16384 points/turn x 4096 turns |
| Accuracy error | +/- 0.05 ° |
| Rotor inertia | 0.1 kg.cm ² |
| Maximum radial force Fr | 89 N |
| Maximum axial force Fa | 104 N force pressure) 104 N tensile force) |
| Service life in hours | 20000 h bearing |
| Marking | CE |
| Type of cooling | Natural convection |
| Net Weight | 3.09 lb(US) (1.4 kg) |

Environment

| | |
|---|---|
| Standards | IEC 60072-1 EN 61800-3:2001, second environment EN 61800-3 : 2001-02 EN/IEC 50178 EN 50347 EN/IEC 61800-3 IEC 61800-3, Ed 2 |
| Product certifications | UL CUL TÜV |
| Ambient air temperature for operation | 122...149 °F (50...65 °C) with power derating of 2 % per °C) 32...122 °F (0...50 °C) without derating) |
| Permissible ambient air temperature around the device | 221 °F (105 °C) power amplifier 230 °F (110 °C) motor |
| Ambient air temperature for storage | -13...158 °F (-25...70 °C) |
| Operating altitude | <= 3280.84 ft (1000 m) without derating |
| Relative humidity | 15...85 % without condensation |
| Vibration resistance | 20 m/s ² 10...500 Hz) 10 cycles EN/IEC 60068-2-6 |

| | |
|-------------------------|---|
| Shock resistance | 150 m/s ² 1000 shocks EN/IEC 60068-2-29 |
| IP degree of protection | Shaft bushing IP41 EN/IEC 60034-5 Total except shaft bushing IP54 EN/IEC 60034-5 |

Ordering and shipping details

| | |
|-----------------------|-------------------------------------|
| Category | 18288 - LEXIUM INTEGRATED DRIVES II |
| Discount Schedule | PC56 |
| GTIN | 03389119225465 |
| Nbr. of units in pkg. | 1 |
| Package weight(Lbs) | 3.97 lb(US) (1.8 kg) |
| Returnability | No |
| Country of origin | DE |

Packing Units

| | |
|------------------------|------------------|
| Unit Type of Package 1 | PCE |
| Package 1 Height | 3.15 in (8 cm) |
| Package 1 width | 7.48 in (19 cm) |
| Package 1 Length | 15.35 in (39 cm) |

Offer Sustainability

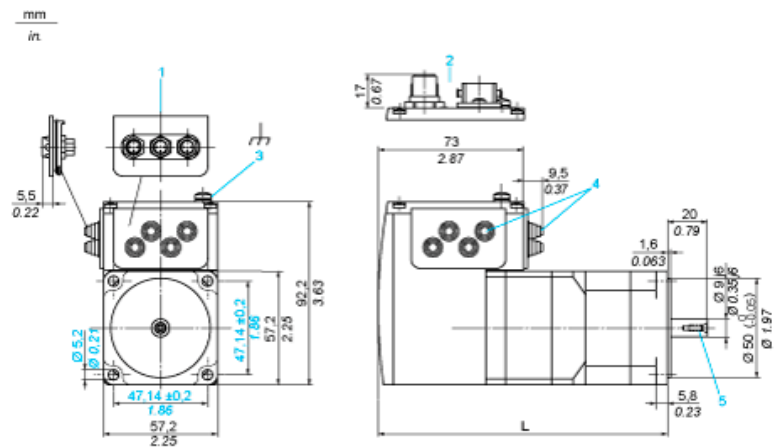
| | |
|----------------------------|---|
| Sustainable offer status | Green Premium product |
| California proposition 65 | WARNING: This product can expose you to chemicals including: Lead and lead compounds, which is known to the State of California to cause cancer and birth defects or other reproductive harm. For more information go to www.P65Warnings.ca.gov |
| REACH Regulation | REACH Declaration |
| REACH free of SVHC | Yes |
| EU RoHS Directive | Pro-active compliance (Product out of EU RoHS legal scope) EU RoHS Declaration |
| Mercury free | Yes |
| RoHS exemption information | Yes |
| China RoHS Regulation | China RoHS declaration |
| Environmental Disclosure | Product Environmental Profile |
| Circularity Profile | End of Life Information |
| WEEE | The product must be disposed on European Union markets following specific waste collection and never end up in rubbish bins. |
| PVC free | Yes |

Contractual warranty

| | |
|----------|-----------|
| Warranty | 18 months |
|----------|-----------|

Integrated Drive without Holding Brake

Dimensions

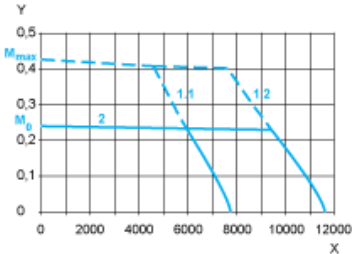


- 1 Accessories: I/O signal insert with industrial connectors
 - 2 Option: industrial connectors
 - 3 Earth (ground) terminal
 - 4 Accessories: cable entries $\varnothing = 3 \dots 9 \text{ mm} / 0.12 \dots 0.35 \text{ in.}$
 - 5 Centring hole DIN 332 - DS M3
- L : 178.8 mm / 7.04 in.

Connection Example with 4 I/O Signals



Torque Characteristics



- X Speed of rotation in rpm
- Y Torque in Nm
- 1.1 Max. torque at 24 V
- 1.2 Max. torque at 36 V
- 2 Continuous torque