

Product availability : Stock - Normally stocked in distribution facility



Main

| | |
|------------------------------|--|
| Range of product | Modicon STB distributed I/O solution |
| Product or component type | Standard digital output kit |
| Kit composition | STBXBA1000 base STBDDO3600 module STBXTS2100, 6-terminal spring clamp connector STBXTS1100, 6-terminal screw type connector |
| Discrete output number | 6 |
| Discrete output type | Solid state |
| Discrete output voltage | 24 V |
| Discrete output voltage type | DC |

Complementary

| | |
|---|---|
| Discrete output current | 500 mA |
| Discrete output logic | Positive or negative |
| Output voltage | 19.2...30 V DC |
| Absolute maximum voltage | 56 V 1.3 ms |
| Response time | 715 μ s off-to-on 955 μ s on-to-off |
| Cold swapping | Yes |
| Hot swapping | Yes for standard NIMs |
| Fallback | State 0 basic NIMs User configurable standard NIMs |
| Protection type | Power protection integrated fuse on PDM time lag 10 A Reverse polarity protection Short-circuit protection Thermal overload protection |
| Insulation between channels and logic bus | 1500 V for 1 minute |
| Maximum leakage current | 0.4 mA at state 0 30 V |

Disclaimer: This documentation is not intended as a substitute for and is not to be used for determining suitability or reliability of these products for specific user applications

| | |
|---------------------------|---|
| Surge current | 5 A 0.5 ms |
| Maximum load capacitance | 50 µF |
| Maximum load inductance | 500 mH 4 Hz |
| Minimum load | 0.5 mA |
| Reset | Manual reset COM fault |
| Product compatibility | Power distribution module STBPDT3100/3105 I/O base STBXBA1000 |
| [Us] rated supply voltage | 24 V DC |
| Supply | Power distribution module |
| Current consumption | 90 mA 5 V DC logic bus |
| Marking | CE |
| Overvoltage category | II |
| Status LED | Module status (RDY) 1 LED Green) Channel status (OUT1 to OUT6) 1 LED per channel Green) Module error (ERR) 1 LED Red) |
| Height | 0.55 in (13.9 mm) |
| Depth | 2.76 in (70 mm) |
| Width | 5.05 in (128.3 mm) |
| Net Weight | 0.25 lb(US) (0.114 kg) |

Environment

| | |
|---------------------------------------|--|
| Standards | EN/IEC 61131-2 |
| Product certifications | CSA UL FM Class 1 Division 2 |
| Pollution degree | 2 IEC 60664-1 |
| Operating altitude | <= 6561.68 ft (2000 m) |
| IP degree of protection | IP20 conforming to EN 61131-2 class 1 |
| Ambient air temperature for operation | 32...140 °F (0...60 °C) without derating) |
| Ambient air temperature for operation | 32...140 °F without derating |
| Ambient air temperature for storage | -40...185 °F (-40...85 °C) without derating |
| Ambient air temperature for storage | -40...185 °F without derating |
| Relative humidity | 95 % 140 °F (60 °C) without condensation |
| Vibration resistance | 3 gn 58...150 Hz 35 x 7.5 mm symmetrical DIN rail 5 gn 58...150 Hz 35 x 15 mm symmetrical DIN rail +/-0.35 mm 10...58 Hz |
| Shock resistance | 30 gn 11 ms IEC 88 reference 2-27 |

Ordering and shipping details

| | |
|-----------------------|--------------------------|
| Category | 18215 - ADVANTYS STB I/O |
| Discount Schedule | PC32 |
| GTIN | 03595863949339 |
| Nbr. of units in pkg. | 1 |
| Package weight(Lbs) | 4.80 oz (136 g) |
| Returnability | Yes |
| Country of origin | ID |

Packing Units

| | |
|------------------------|------------------|
| Unit Type of Package 1 | PCE |
| Package 1 Height | 1.06 in (2.7 cm) |
| Package 1 width | 3.15 in (8 cm) |
| Package 1 Length | 5.12 in (13 cm) |

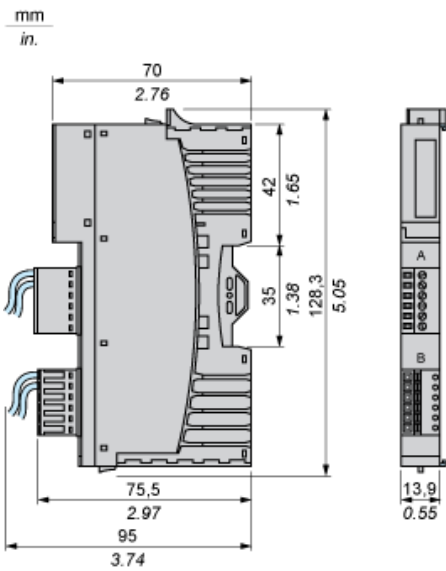
Offer Sustainability

| | |
|----------------------------|---|
| Sustainable offer status | Green Premium product |
| California proposition 65 | WARNING: This product can expose you to chemicals including: Lead and lead compounds, which is known to the State of California to cause cancer and birth defects or other reproductive harm. For more information go to www.P65Warnings.ca.gov |
| REACH Regulation | REACH Declaration |
| EU RoHS Directive | Pro-active compliance (Product out of EU RoHS legal scope) EU RoHS Declaration |
| Mercury free | Yes |
| RoHS exemption information | Yes |
| China RoHS Regulation | China RoHS declaration |
| Environmental Disclosure | Product Environmental Profile |
| Circularity Profile | End of Life Information |
| WEEE | The product must be disposed on European Union markets following specific waste collection and never end up in rubbish bins. |

Contractual warranty

| | |
|----------|-----------|
| Warranty | 18 months |
|----------|-----------|

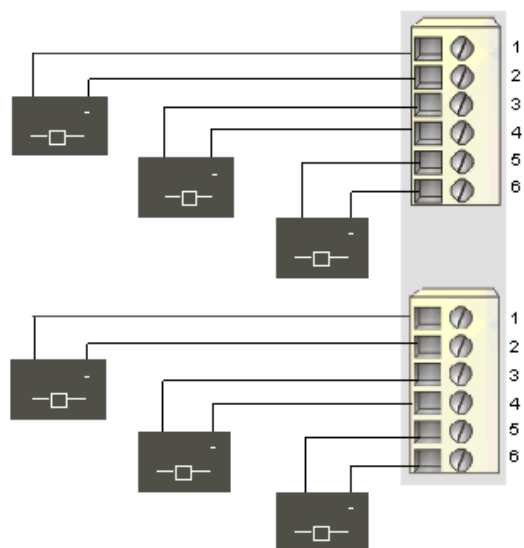
Dimensions



Wiring Diagram

Example

6 two-wire actuators



| Pin | Top Connector | Bottom Connector |
|-----|----------------------|----------------------|
| 1 | output to actuator 1 | output to actuator 4 |
| 2 | field power return | field power return |
| 3 | output to actuator 2 | output to actuator 5 |
| 4 | field power return | field power return |
| 5 | output to actuator 3 | output to actuator 6 |
| 6 | field power return | field power return |