

# Product data sheet

## Characteristics

# QO16035

Mini circuit breaker, QO, 60A, 1 pole, 120/240 VAC, 10 kA, plug in mount, 50 degrees C

Product availability : Non-Stock - Not normally stocked in distribution facility



Price\* : 35.00 USD



### Main

Product	Miniature circuit-breaker
Range	QO
Current Rating	60 A
Voltage Rating	120/240 V AC 120 V AC 48 V DC
Mounting Type	Plug-in
Number of Poles	1P
Circuit Breaker Type	Standard
Ratings	HACR rated
Electrical Connection	Box lugs

### Complementary

Interrupt Rating	10 kA 120/240 V AC 50/60 Hz 10 kA 120 V AC 50/60 Hz 5 kA 48 V DC
Number of Panel Spaces	1
Wire Size	AWG 8...AWG 2 copper or aluminium
Tightening Torque	44.25 lbf.in (5 N.m) 0.02...0.04 in <sup>2</sup> (10...25 mm <sup>2</sup> ) (AWG 8...AWG 2)
Height	3.12 in (79.25 mm)
Depth	2.91 in (73.91 mm)
Width	0.75 in (19.05 mm)

### Environment

Certifications	UL Listed CSA
----------------	------------------

\* Price is "List Price" and may be subject to a trade discount – check with your local distributor or retailer for actual price.

Ambient Rating	122 °F (50 °C)
----------------	----------------

### Ordering and shipping details

Category	00104 - QO 35-70A 1P;70-125A 2P CB
Discount Schedule	DE2A
Nbr. of units in pkg.	1
Package weight(Lbs)	1 lb(US) (0.45 kg)
Returnability	No
Country of origin	MX

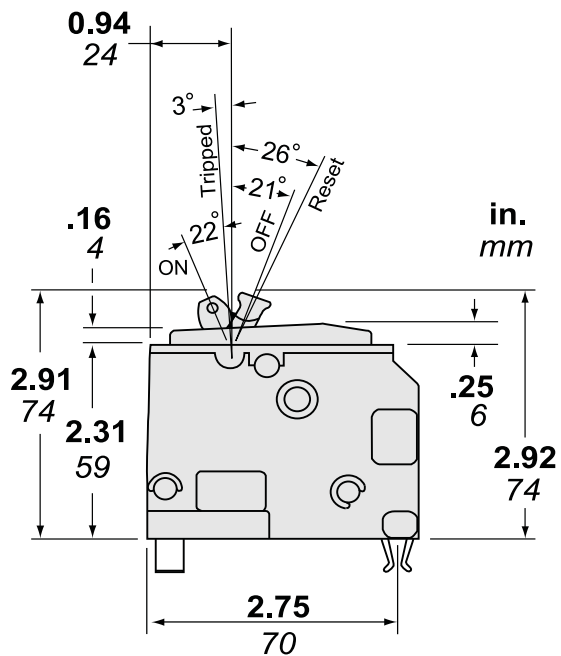
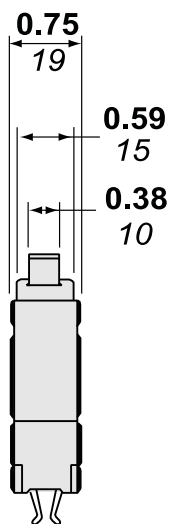
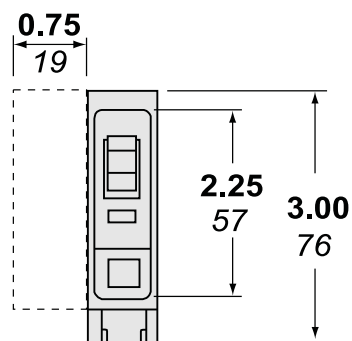
### Packing Units

Package 1 Height	0.70 in (1.778 cm)
Package 1 width	3.50 in (8.890 cm)
Package 1 Length	3.50 in (8.890 cm)

### Offer Sustainability

REACH free of SVHC	Yes
EU RoHS Directive	Compliant <a href="#">EU RoHS Declaration</a>
Toxic heavy metal free	Yes
Mercury free	Yes
RoHS exemption information	<a href="#">Yes</a>
China RoHS Regulation	<a href="#">China RoHS declaration</a>

Dimensions



Dimensions are approximate. Refer to technical documentation for additional detail.