

Product data sheet

Characteristics

HOM4080M200PRB

Load center, Homeline, 1 phase, 40 spaces, 80 circuits, 200A convertible main breaker, PoN, NEMA3R

Product availability : Non-Stock - Not normally stocked in distribution facility



Price* : 1,324.70 USD



Main

Product Type	Load Center
Marketing Trade Name	Homeline
Load Center Type	Main breaker
Rated Current	200 A
Number of Spaces	40
Maximum Number of Single Pole Circuits	80
Enclosure Rating	NEMA 3R outdoor
Cover Type	Surface cover
Electrical Connection	Lugs
Provided Equipment	Circuit-breaker 1) 2P 200 A 120/240 V AC main supply ready assembled

Complementary

Max Short Circuit Current Rating	22 kA
Maximum Number of Tandem Breakers	40
Number of Phases	1 phase
Voltage Rating	120/240 V AC
Wire Size	AWG 4...250 kcmil aluminium/copper
Ground Bar	Grounding bar (ordered separately)
Wiring Configuration	3-wire
Busbar Material	Tin plated aluminium busbar
Enclosure Material	Welded galvanized steel
Surface Finish	Baked enamel Gray

* Price is "List Price" and may be subject to a trade discount – check with your local distributor or retailer for actual price.

Box Number	14R
Height	39.37 in (1000 mm)
Depth	4.53 in (115 mm)
Width	14.76 in (375 mm)

Environment

Ambient Air Temperature for Operation	23 °F (-5 °C) 104 °F (40 °C)
Product Certifications	UL listed file E-6294

Ordering and shipping details

Category	00145 - HOM LC&CVR,12-42CKT NEMA3R
Discount Schedule	DE3C
GTIN	00785901977520
Nbr. of units in pkg.	1
Package weight(Lbs)	44.60 lb(US) (20.23 kg)
Returnability	Yes
Country of origin	US

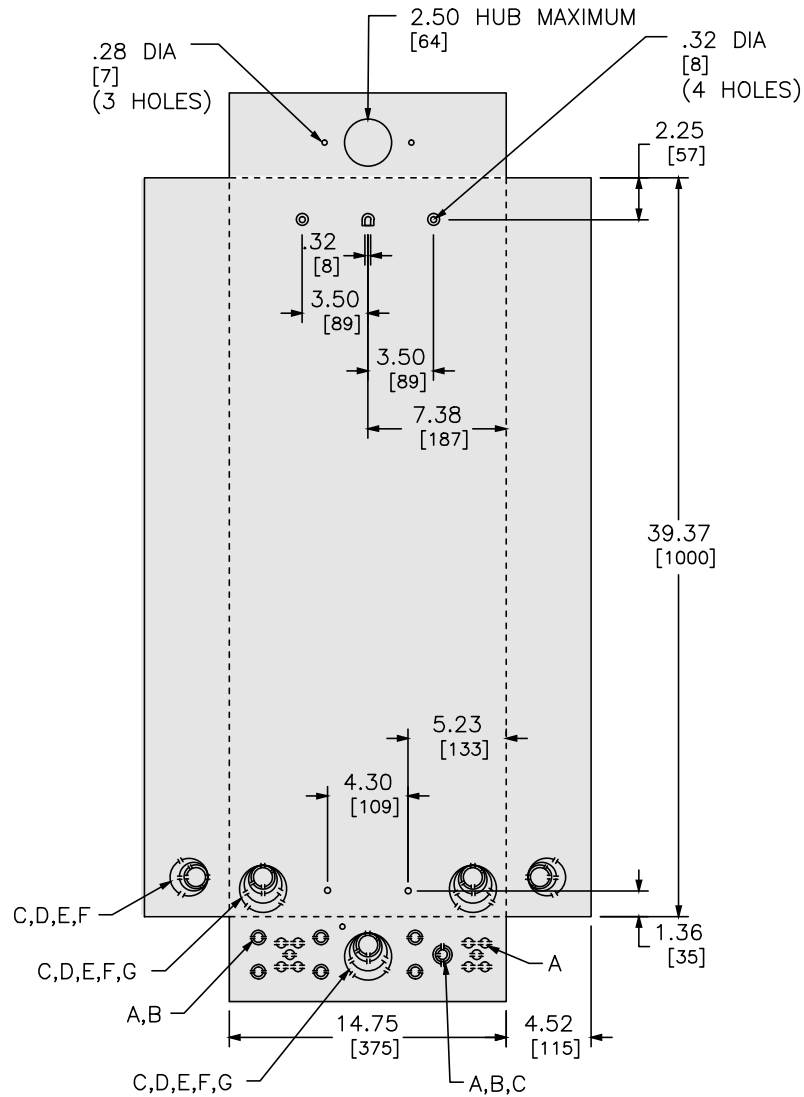
Packing Units

Unit Type of Package 1	PCE
Package 1 Height	4.80 in (12.2 cm)
Package 1 width	15.51 in (39.4 cm)
Package 1 Length	41.18 in (104.6 cm)
Unit Type of Package 2	PAL
Number of Units in Package 2	24
Package 2 Weight	1094.00 lb(US) (496.23 kg)
Package 2 Height	43.00 in (109.22 cm)
Package 2 width	40.00 in (101.6 cm)
Package 2 Length	48.00 in (121.92 cm)

Offer Sustainability

Sustainable offer status	Green Premium product
California proposition 65	WARNING: This product can expose you to chemicals including: Lead and lead compounds, which is known to the State of California to cause cancer and birth defects or other reproductive harm. For more information go to www.P65Warnings.ca.gov
REACH Regulation	REACH Declaration
REACH free of SVHC	Yes
EU RoHS Directive	Compliant EU RoHS Declaration
Toxic heavy metal free	Yes
Mercury free	Yes
RoHS exemption information	Yes
China RoHS Regulation	China RoHS declaration Pro-active China RoHS declaration (out of China RoHS legal scope)
Environmental Disclosure	Product Environmental Profile

Dimensions

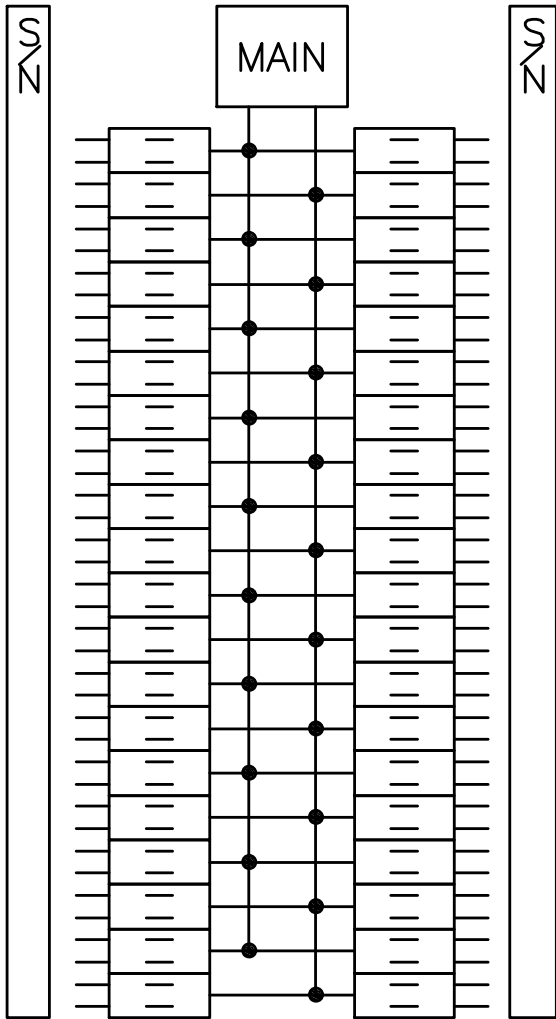


in.
[mm]

KNOCKOUTS							
SYMBOL	A	B	C	D	E	F	G
IN	.50	.75	1.00	1.25	1.50	2.00	2.50
MM	13	19	25	32	38	51	64

Dimensions are approximate. Refer to technical documentation for additional detail.

Wiring Diagram



HOM4080M200PRB