

Product data sheet

Characteristics

HOM816M200PFTRB

Load center, Homeline, 1 phase, 8 spaces, 16 circuits, 200A convertible main breaker, PoN, NEMA3R, feedthru

Product availability : Non-Stock - Not normally stocked in distribution facility



Price* : 840.52 USD



Main

Product Type	Load Center
Marketing Trade Name	Homeline
Load Center Type	Main breaker
Rated Current	200 A
Number of Spaces	8
Maximum Number of Single Pole Circuits	16
Enclosure Rating	NEMA 3R outdoor
Cover Type	Surface cover
Electrical Connection	Feed-thru lugs
Provided Equipment	Circuit-breaker 1) 2P 200 A 120/240 V AC main supply ready assembled

Complementary

Max Short Circuit Current Rating	22 kA
Maximum Number of Tandem Breakers	8
Number of Phases	1 phase
Voltage Rating	120/240 V AC
Wire Size	AWG 4...250 kcmil copper or aluminium
Ground Bar	Grounding bar (ordered separately)
Wiring Configuration	3-wire
Busbar Material	Tin plated aluminium busbar
Enclosure Material	Welded galvanized steel
Surface Finish	Baked enamel Gray

* Price is "List Price" and may be subject to a trade discount – check with your local distributor or retailer for actual price.

Box Number	6R
Height	29.84 in (758 mm)
Depth	4.53 in (115 mm)
Width	14.76 in (375 mm)

Environment

Ambient Air Temperature for Operation	23 °F (-5 °C) 104 °F (40 °C)
Product Certifications	UL listed file E-6294

Ordering and shipping details

Category	00149 - HOM 2-8 CKT,MLO,NEMA1&3R
Discount Schedule	DE3C
GTIN	00785901973959
Nbr. of units in pkg.	1
Package weight(Lbs)	1 lb(US) (0.45 kg)
Returnability	Yes
Country of origin	US

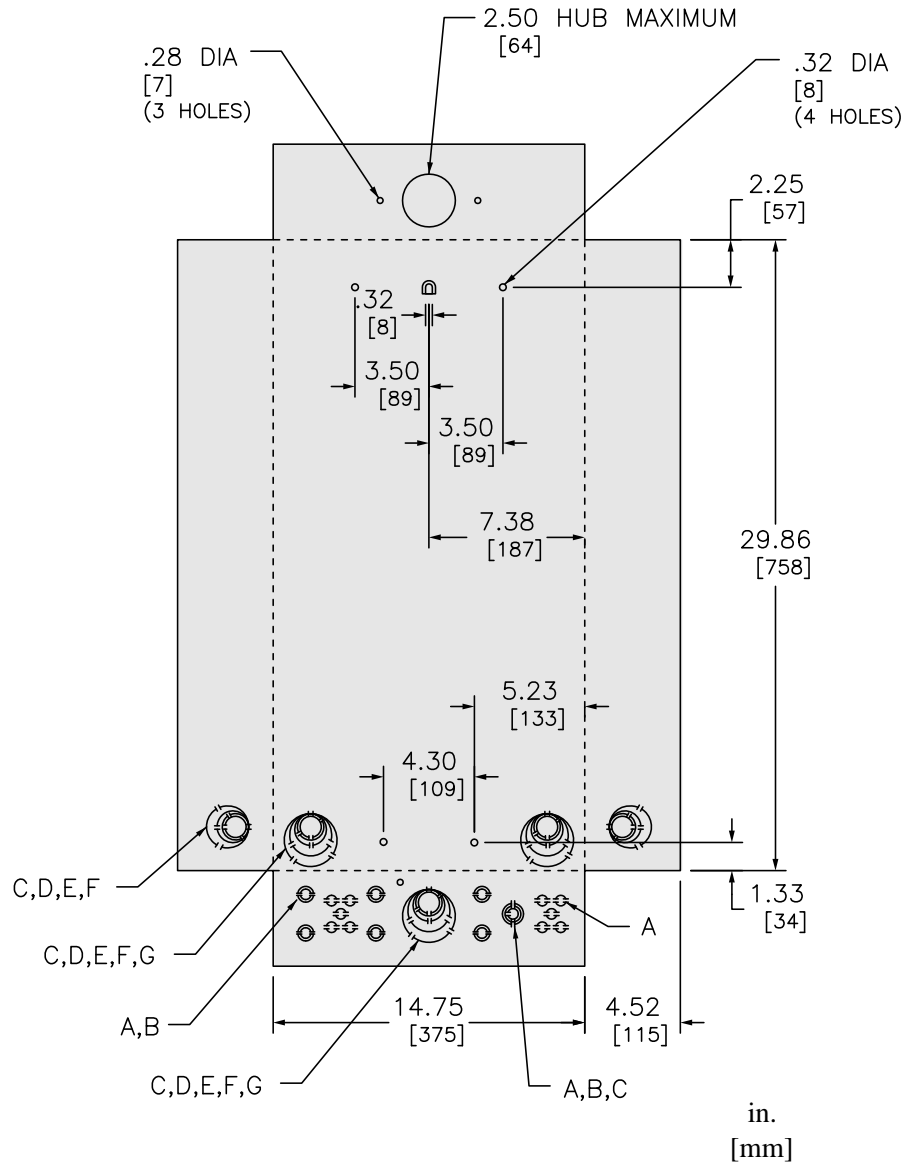
Packing Units

Unit Type of Package 1	PCE
Package 1 Height	5.00 in (12.7 cm)
Package 1 width	15.50 in (39.37 cm)
Package 1 Length	31.70 in (80.518 cm)
Unit Type of Package 2	PAL
Number of Units in Package 2	24
Package 2 Weight	817.00 lb(US) (370.585 kg)
Package 2 Height	43.50 in (110.49 cm)
Package 2 width	40.00 in (101.6 cm)
Package 2 Length	48.00 in (121.92 cm)

Offer Sustainability

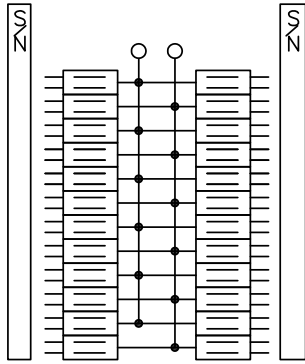
Sustainable offer status	Green Premium product
California proposition 65	WARNING: This product can expose you to chemicals including: Lead and lead compounds, which is known to the State of California to cause cancer and birth defects or other reproductive harm. For more information go to www.P65Warnings.ca.gov
REACH Regulation	REACH Declaration
REACH free of SVHC	Yes
EU RoHS Directive	Compliant EU RoHS Declaration
Toxic heavy metal free	Yes
Mercury free	Yes
RoHS exemption information	Yes
China RoHS Regulation	China RoHS declaration Pro-active China RoHS declaration (out of China RoHS legal scope)
Environmental Disclosure	Product Environmental Profile

Dimensions

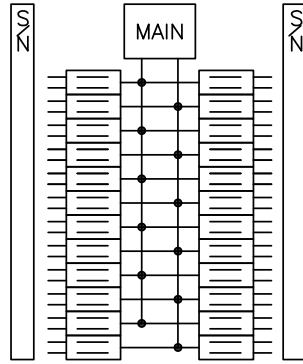


KNOCKOUTS							
SYMBOL	A	B	C	D	E	F	G
IN	.50	.75	1.00	1.25	1.50	2.00	2.50
MM	13	19	25	32	38	51	64

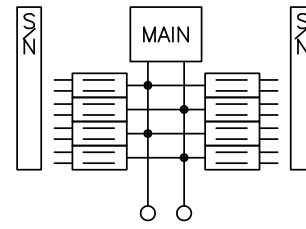
Wiring Diagram



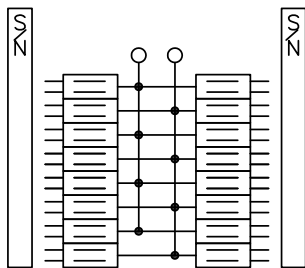
HOM2448L125PRB



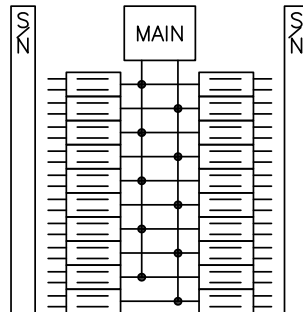
HOM2448M125PRB



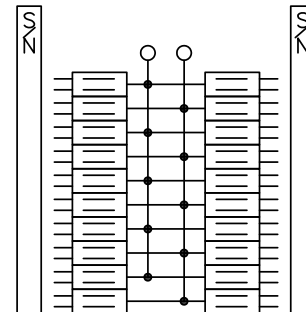
HOM816M150PFTRB
HOM816M200PFTRB



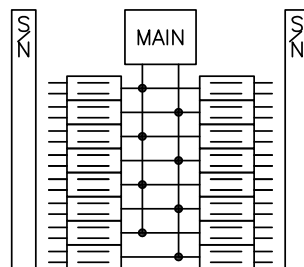
HOM1632L225PRB



HOM2040M200PRB



HOM2040L225PRB



HOM1632M225PRB