

Product data sheet

Characteristics

QHB1151021

Mini circuit breaker, QO, 15A, 1 pole, 120/240 VAC, 65 kA, bolt on mount, AC shunt trip



Price* : 311.00 USD



Main

| | |
|-----------------------|-------------------------------|
| Product | Miniature circuit-breaker |
| Range | QO |
| Current Rating | 15 A |
| Voltage Rating | 120/240 V AC 120 V AC |
| Mounting Type | Bolt-on |
| Number of Poles | 1P |
| Circuit Breaker Type | Standard |
| Ratings | HACR and Switching Duty rated |
| Electrical Connection | Pressure plate |
| Options | Shunt trip 120/208/240 V AC |

Complementary

| | |
|------------------------|--|
| Interrupt Rating | 65 kA 120/240 V AC 50/60 Hz 65 kA 120 V AC 50/60 Hz |
| Number of Panel Spaces | 2 |
| Wire Size | AWG 14...AWG 8 copper or aluminium |
| Tightening Torque | 40.71 lbf.in (4.6 N.m) |
| Height | 3 in (76.20 mm) |
| Depth | 2.91 in (73.91 mm) |
| Width | 1.5 in (38.10 mm) |

Environment

| | |
|----------------|------------------|
| Certifications | UL Listed CSA |
| Ambient Rating | 104 °F (40 °C) |

* Price is "List Price" and may be subject to a trade discount – check with your local distributor or retailer for actual price.

Ordering and shipping details

| | |
|---------------------|----------------------------|
| Category | 00015-QOB CIRCUIT BREAKERS |
| Discount Schedule | DE2 |
| GTIN | 00785901637752 |
| Package weight(Lbs) | 10.72 oz (303.907 g) |
| Returnability | No |
| Country of origin | MX |

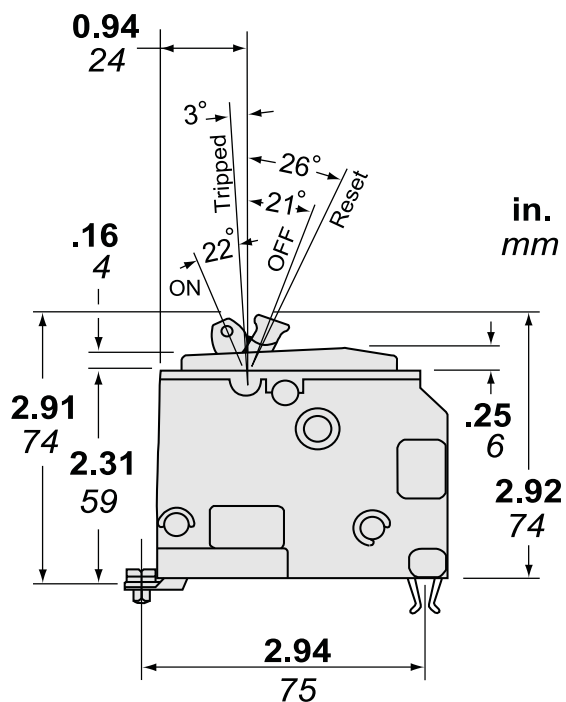
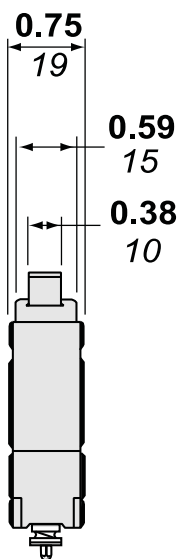
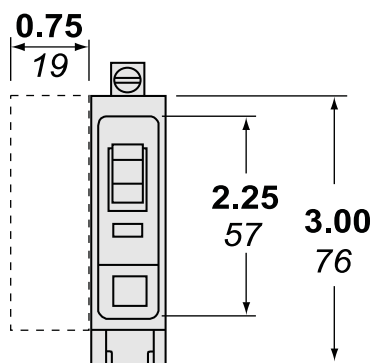
Offer Sustainability

| | |
|----------------------------|---|
| REACH free of SVHC | Yes |
| EU RoHS Directive | Compliant EU RoHS Declaration |
| Toxic heavy metal free | Yes |
| Mercury free | Yes |
| RoHS exemption information | Yes |
| China RoHS Regulation | China RoHS declaration Pro-active China RoHS declaration (out of China RoHS legal scope) |

Contractual warranty

| | |
|----------|-----------|
| Warranty | 18 months |
|----------|-----------|

Dimensions



Dimensions are approximate. Refer to technical documentation for additional detail.

Wiring Diagram

Shunt Trip Wiring Diagram

