

Product data sheet

Characteristics

HOM3060M200PRBVP

Load center, Homeline, 1 phase, 30 spaces, 60 circuits, 200A convertible main breaker, PoN, NEMA3R, value pack

Product availability : Stock - Normally stocked in distribution facility



Price* : 1,350.90 USD



Main

Product Type	Load Center
Marketing Trade Name	Homeline
Load Center Type	Main breaker
Rated Current	200 A
Number of Spaces	30
Maximum Number of Single Pole Circuits	60
Enclosure Rating	NEMA 3R outdoor
Cover Type	Surface cover
Electrical Connection	Lugs
Provided Equipment	Circuit-breaker 1) 2P 200 A 120/240 V AC main supply ready assembled Circuit-breaker 3) 1P 20 A 120/240 V AC Circuit-breaker 2) 2P 30 A 120/240 V AC

Complementary

Max Short Circuit Current Rating	22 kA
Maximum Number of Tandem Breakers	30
Number of Phases	1 phase
Voltage Rating	120/240 V AC
Wire Size	AWG 4...250 kcmil aluminium/copper
Ground Bar	Grounding bar (ordered separately)
Wiring Configuration	3-wire
Busbar Material	Tin plated aluminium busbar
Enclosure Material	Welded galvanized steel

* Price is "List Price" and may be subject to a trade discount – check with your local distributor or retailer for actual price.

Jul 30, 2021

Surface Finish	Baked enamel Gray
Box Number	7R
Height	33.78 in (858 mm)
Depth	4.53 in (115 mm)
Width	14.76 in (375 mm)

Environment

Ambient Air Temperature for Operation	23 °F (-5 °C) 104 °F (40 °C)
Product Certifications	UL listed file E-6294

Ordering and shipping details

Category	00185 - MISC. HOM LOAD CENTERS
Discount Schedule	DE3C
GTIN	00785901978107
Nbr. of units in pkg.	1
Package weight(Lbs)	42.75 lb(US) (19.39 kg)
Returnability	Yes
Country of origin	US

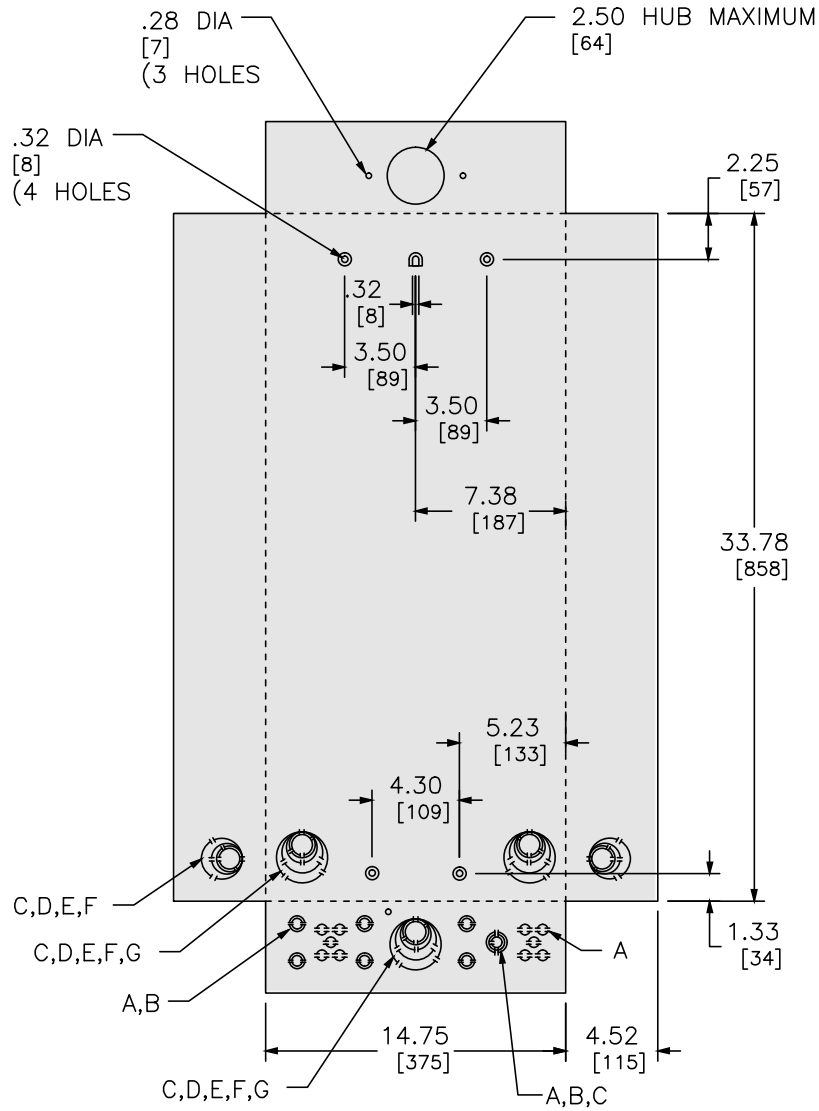
Packing Units

Unit Type of Package 1	PCE
Package 1 Height	48.00 in (121.92 cm)
Package 1 width	154.00 in (391.16 cm)
Package 1 Length	355.00 in (901.7 cm)
Unit Type of Package 2	PAL
Number of Units in Package 2	24
Package 2 Weight	878.00 lb(US) (398.254 kg)
Package 2 Height	44.00 in (111.76 cm)
Package 2 width	40.00 in (101.6 cm)
Package 2 Length	48.00 in (121.92 cm)

Offer Sustainability

Sustainable offer status	Green Premium product
California proposition 65	WARNING: This product can expose you to chemicals including: Lead and lead compounds, which is known to the State of California to cause cancer and birth defects or other reproductive harm. For more information go to www.P65Warnings.ca.gov
REACH Regulation	REACH Declaration
REACH free of SVHC	Yes
EU RoHS Directive	Compliant EU RoHS Declaration
Toxic heavy metal free	Yes
Mercury free	Yes
RoHS exemption information	Yes
China RoHS Regulation	China RoHS declaration Pro-active China RoHS declaration (out of China RoHS legal scope)
Environmental Disclosure	Product Environmental Profile

Dimensions

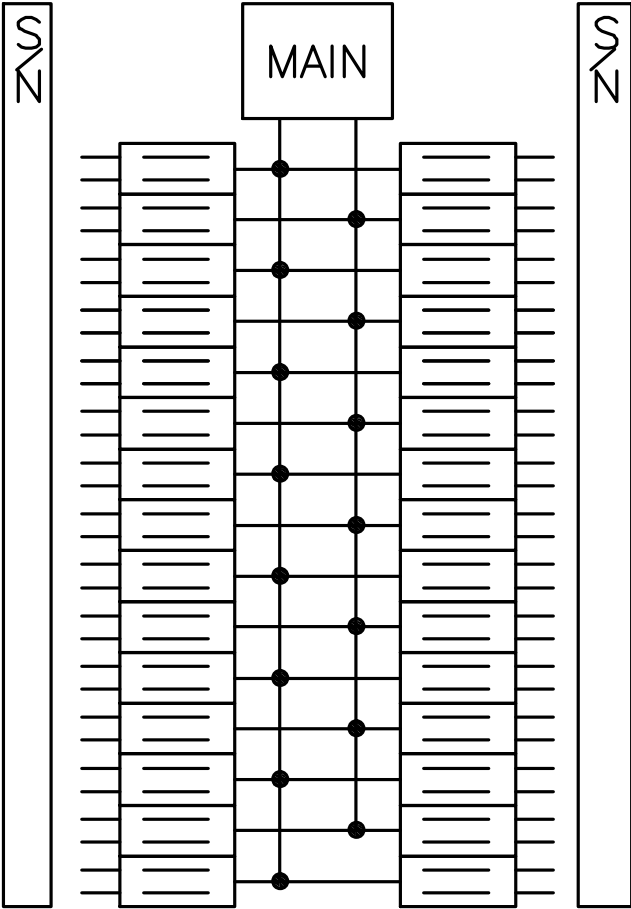


KNOCKOUTS							
SYMBOL	A	B	C	D	E	F	G
IN	.50	.75	1.00	1.25	1.50	2.00	2.50
MM	13	19	25	32	38	51	64

in.
[mm]

Dimensions are approximate. Refer to technical documentation for additional detail.

Wiring Diagram



HOM3060M150PRB
HOM3060M200PRB