

# Product data sheet

## Characteristics

# HOM2040M200PRB

Load center, Homeline, 1 phase, 20 spaces, 40 circuits, 200A convertible main breaker, PoN, NEMA3R

Product availability : Non-Stock - Not normally stocked in distribution facility



Price\* : 927.29 USD



### Main

Product Type	Load Center
Marketing Trade Name	Homeline
Load Center Type	Main breaker
Rated Current	200 A
Number of Spaces	20
Maximum Number of Single Pole Circuits	40
Enclosure Rating	NEMA 3R outdoor
Cover Type	Surface cover
Electrical Connection	Lugs
Provided Equipment	Circuit breaker 1) 2P 200 A 120/240 V AC main supply ready assembled

### Complementary

Max Short Circuit Current Rating	22 kA
Maximum Number of Tandem Breakers	20
Number of Phases	1 phase
Voltage Rating	120/240 V AC
Wire Size	AWG 4...250 kcmil aluminium/copper
Ground Bar	Grounding bar (ordered separately)
Wiring Configuration	3-wire
Busbar Material	Tin plated aluminium busbar
Enclosure Material	Welded galvanized steel
Surface Finish	Baked enamel Gray

\* Price is "List Price" and may be subject to a trade discount – check with your local distributor or retailer for actual price.

Box Number	6R
Height	29.84 in (758 mm)
Depth	4.53 in (115 mm)
Width	14.76 in (375 mm)

## Environment

Ambient Air Temperature for Operation	23 °F (-5 °C) 104 °F (40 °C)
Product Certifications	UL listed file E-6294

## Ordering and shipping details

Category	00145 - HOM LC&CVR,12-42CKT NEMA3R
Discount Schedule	DE3C
GTIN	00785901977186
Nbr. of units in pkg.	1
Package weight(Lbs)	1 lb(US) (0.45 kg)
Returnability	Yes
Country of origin	US

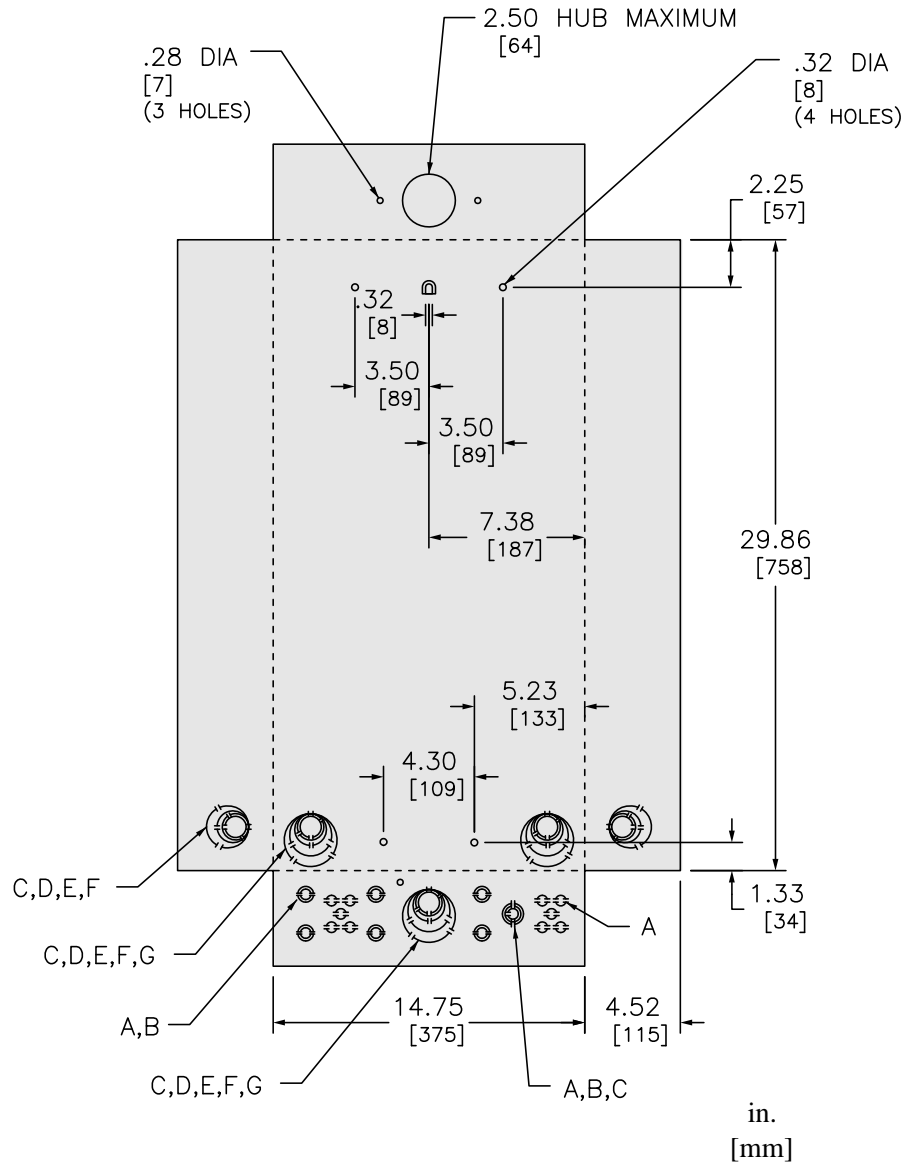
## Packing Units

Unit Type of Package 1	PCE
Package 1 Height	4.90 in (12.446 cm)
Package 1 width	15.50 in (39.37 cm)
Package 1 Length	31.70 in (80.518 cm)
Unit Type of Package 2	PAL
Number of Units in Package 2	24
Package 2 Weight	818.00 lb(US) (371.038 kg)
Package 2 Height	44.30 in (112.522 cm)
Package 2 width	40.00 in (101.6 cm)
Package 2 Length	48.00 in (121.92 cm)

## Offer Sustainability

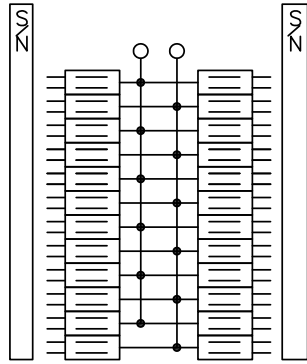
Sustainable offer status	Green Premium product
California proposition 65	WARNING: This product can expose you to chemicals including: Lead and lead compounds, which is known to the State of California to cause cancer and birth defects or other reproductive harm. For more information go to <a href="http://www.P65Warnings.ca.gov">www.P65Warnings.ca.gov</a>
REACH Regulation	<a href="#">REACH Declaration</a>
REACH free of SVHC	Yes
EU RoHS Directive	Compliant <a href="#">EU RoHS Declaration</a>
Toxic heavy metal free	Yes
Mercury free	Yes
RoHS exemption information	<a href="#">Yes</a>
China RoHS Regulation	<a href="#">China RoHS declaration</a> Pro-active China RoHS declaration (out of China RoHS legal scope)
Environmental Disclosure	<a href="#">Product Environmental Profile</a>

## Dimensions

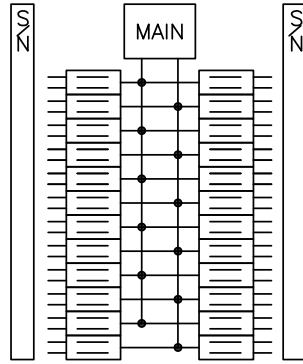


KNOCKOUTS							
SYMBOL	A	B	C	D	E	F	G
IN	.50	.75	1.00	1.25	1.50	2.00	2.50
MM	13	19	25	32	38	51	64

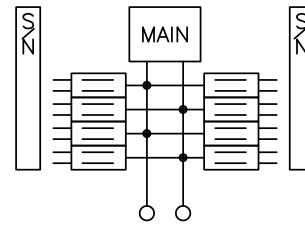
## Wiring Diagram



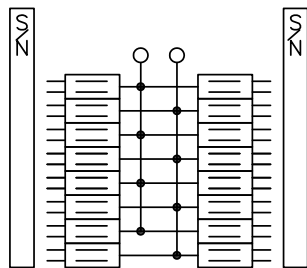
HOM2448L125PRB



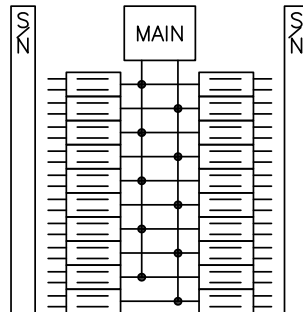
HOM2448M125PRB



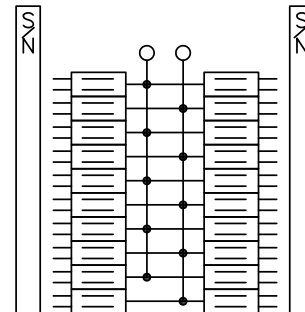
HOM816M150PFTRB  
HOM816M200PFTRB



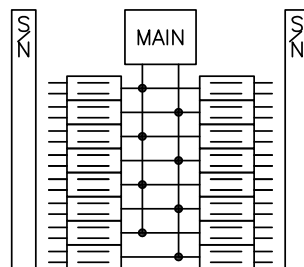
HOM1632L225PRB



HOM2040M200PRB



HOM2040L225PRB



HOM1632M225PRB