

# Product data sheet

## Characteristics

# HOM1224M100PC

Load center, Homeline, 1 phase, 12 spaces, 24 circuits, 100A convertible main breaker, PoN, NEMA1, combo cover

Product availability : Non-Stock - Not normally stocked in distribution facility



Price\* : 317.52 USD



### Main

Product Type	Load Center
Marketing Trade Name	Homeline
Load Center Type	Main breaker
Rated Current	100 A
Number of Spaces	12
Maximum Number of Single Pole Circuits	24
Enclosure Rating	NEMA 1 indoor
Cover Type	Combination flush/surface cover
Electrical Connection	Lugs
Provided Equipment	Circuit breaker 1) 2P 100 A 120/240 V AC main supply ready assembled

### Complementary

Max Short Circuit Current Rating	22 kA
Maximum Number of Tandem Breakers	12
Number of Phases	1 phase
Voltage Rating	120/240 V AC
Wire Size	AWG 6...AWG 2/0 aluminium/copper
Ground Bar	Grounding bar (ordered separately)
Wiring Configuration	3-wire
Busbar Material	Tin plated aluminium busbar
Enclosure Material	Welded sheet steel
Surface Finish	Baked enamel Gray

\* Price is "List Price" and may be subject to a trade discount – check with your local distributor or retailer for actual price.

Box Number	6
Height	17.91 in (455 mm)
Depth	3.74 in (95 mm)
Width	14.25 in (362 mm)

## Environment

Ambient Air Temperature for Operation	23 °F (-5 °C) 104 °F (40 °C)
Product Certifications	UL listed file E-6294

## Ordering and shipping details

Category	00045 - HOM LC&CVR,12-42 CKT,NEMA1
Discount Schedule	DE3C
GTIN	00785901863540
Nbr. of units in pkg.	1
Package weight(Lbs)	1 lb(US) (0.45 kg)
Returnability	Yes
Country of origin	US

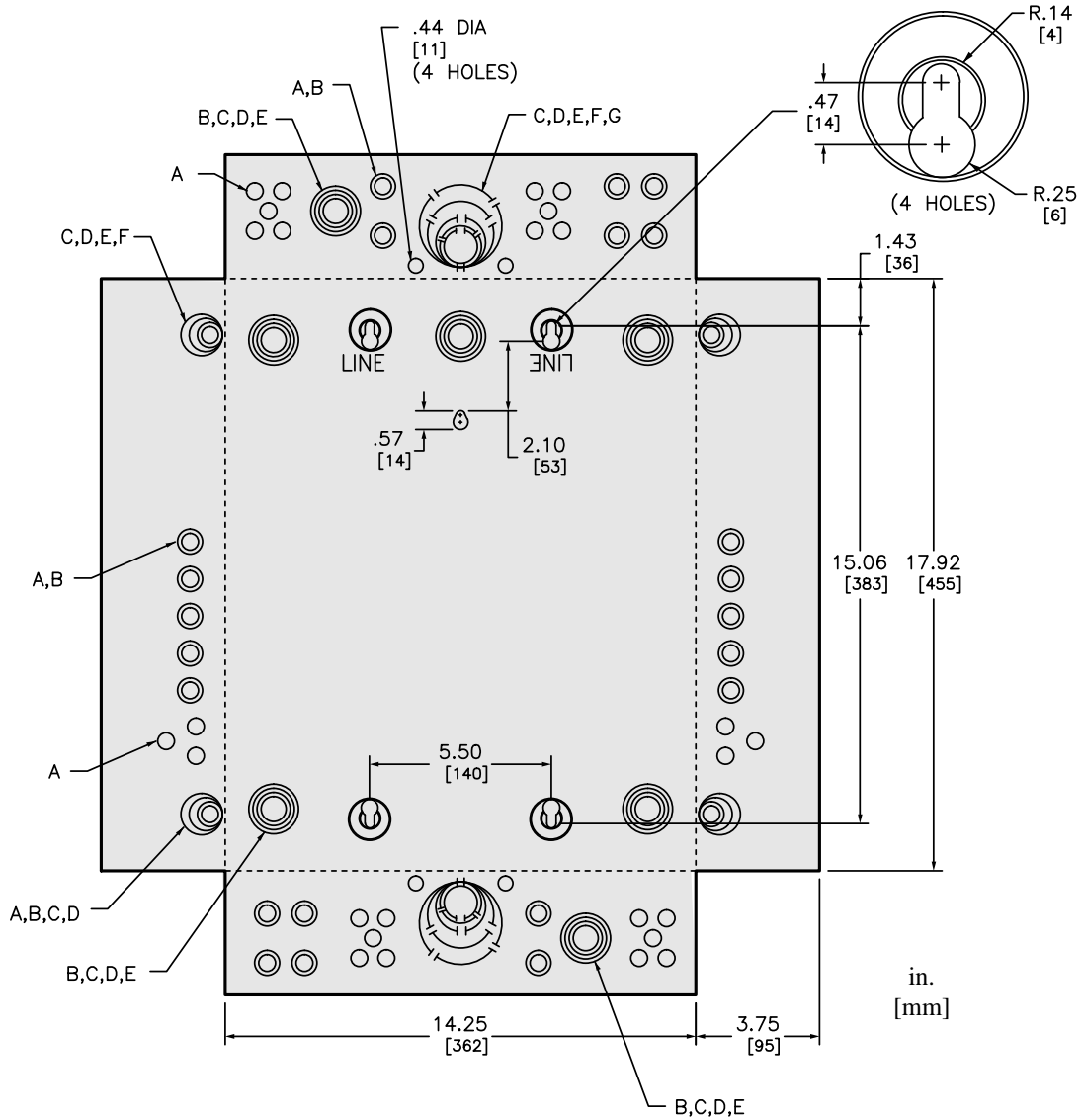
## Packing Units

Unit Type of Package 1	PCE
Package 1 Height	6.00 in (15.24 cm)
Package 1 width	16.20 in (41.148 cm)
Package 1 Length	20.60 in (52.324 cm)
Unit Type of Package 2	PAL
Number of Units in Package 2	42
Package 2 Weight	793.00 lb(US) (359.698 kg)
Package 2 Height	43.00 in (109.22 cm)
Package 2 width	40.00 in (101.6 cm)
Package 2 Length	48.00 in (121.92 cm)

## Offer Sustainability

Sustainable offer status	Green Premium product
California proposition 65	WARNING: This product can expose you to chemicals including: Lead and lead compounds, which is known to the State of California to cause cancer and birth defects or other reproductive harm. For more information go to <a href="http://www.P65Warnings.ca.gov">www.P65Warnings.ca.gov</a>
REACH Regulation	<a href="#">REACH Declaration</a>
REACH free of SVHC	Yes
EU RoHS Directive	Compliant <a href="#">EU RoHS Declaration</a>
Toxic heavy metal free	Yes
Mercury free	Yes
RoHS exemption information	<a href="#">Yes</a>
China RoHS Regulation	<a href="#">China RoHS declaration</a> Pro-active China RoHS declaration (out of China RoHS legal scope)
Environmental Disclosure	<a href="#">Product Environmental Profile</a>

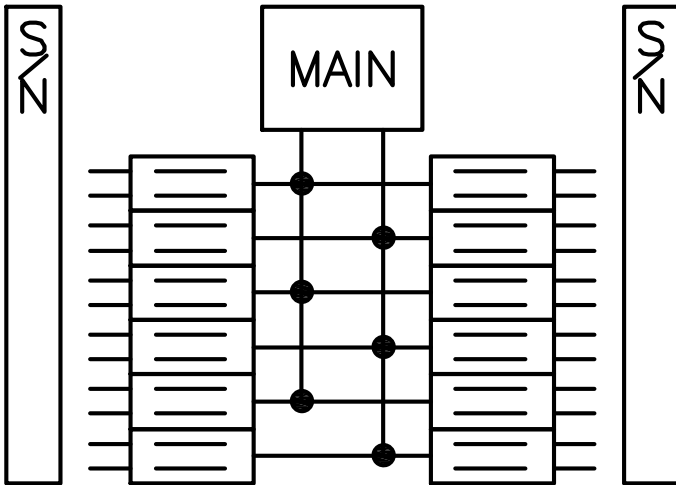
Dimensions



KNOCKOUTS							
SYMBOL	A	B	C	D	E	F	G
IN	.50	.75	1.00	1.25	1.50	2.00	2.50
MM	13	19	25	32	38	51	64

All dimensions are approximate. Refer to technical drawings and documents.

Wiring Diagram



HOM1224M100PC