

# Product data sheet

## Characteristics

# EXN15T3HF

DOE 2016 LV XFMR, 3 Phase, 15kVA, 480  
Delta-208Y/120, AL, 115°C Rise-220C INS

Product availability : Non-Stock - Not normally stocked in distribution facility



Price\* : 2,477.00 USD



### Main

Range of product	Square D
Product or component type	DOE 2016 energy efficient transformer
Device short name	DOE 2016
Transformer type	Energy efficient
Device application	Low voltage electrical distribution

### Complementary

Box number	17M
Phase	3 phase
Rated operational power in VA	15 kVA
Network frequency	60 Hz
Type of cooling	Natural convection
Primary voltage	480 V delta
Number of tap-offs	2 2.5 % FCAN 4 2.5 % FCBN
Primary operational current	144.34 A 416.36 A 150 kVA
Secondary voltage	208Y/120 V
Coil Material	Aluminium
Basic IMP level (BIL)	10 kV
Temperature Rise	115 °C 220 °C insulated
DOE Efficiency	98.00 % at 35 % load factor , 167 °F (75.0 °C)
Sound Level	6 dB NEMA ST-20 39 dB
%IZ	3.98 %
%IX	1.79 %

\* Price is "List Price" and may be subject to a trade discount – check with your local distributor or retailer for actual price.

X/R Ratio	0.53
Inrush current	272 A
Let Through Current	1.05 kA
Transformer Losses	50 no load (core loss) 538 load loss (coil loss)
Transformer BTU/HR	222 16.6 % 285 25 % 630 50 % 1203 75 % 2006 100 %
Height	23.98 in (609 mm)
Depth	21.18 in (538 mm)
Width	21.50 in (546 mm)
Net Weight	184.00 lb(US) (83.46 kg)
Mounting support	Floor Floor, with 7400FMB Ceiling, with 7400CMB17M Wall, with 7400WMB17M
Degree of protection	UL type 2 UL type 3R, with 7400WS22M
Electrical connection	2 Hole Nema Pad secondary 0.44 in (11.1 mm) 4 Hole Nema Pad sec - XO 0.44 in (11.1 mm) 2 Hole Nema Pad primary 0.44 in (11.1 mm)
Number of mounting holes	0.51 in (13 mm)

## Environment

Ambient air temperature for operation	104 °F (40 °C)
Average ambient air temperature for operation	30 °C
Standards	UL 1561 CSA C22.2 No 47 NEMA ST-20

## Ordering and shipping details

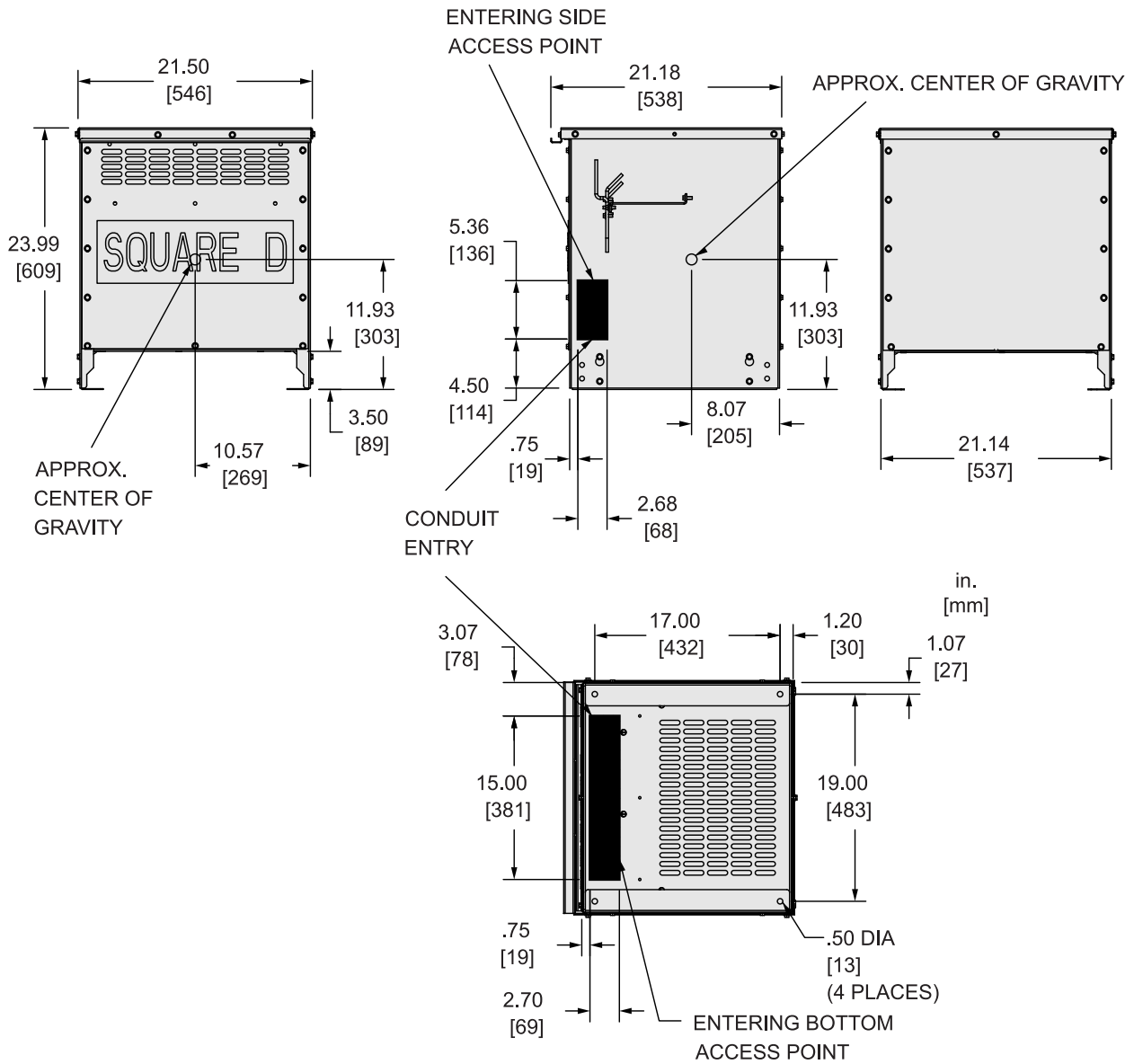
Category	16250 - 3PH EX/2016 15-150KVA LVGP XFMR
Discount Schedule	PE2X
GTIN	00785901436713
Nbr. of units in pkg.	1
Package weight(Lbs)	1 lb(US) (0.45 kg)
Returnability	Yes

## Offer Sustainability

Sustainable offer status	Green Premium product
California proposition 65	WARNING: This product can expose you to chemicals including: Phenyl Glycidyl Ether, which is known to the State of California to cause cancer and birth defects or other reproductive harm. For more information go to <a href="http://www.P65Warnings.ca.gov">www.P65Warnings.ca.gov</a>
REACH Regulation	<a href="#">REACH Declaration</a>
REACH free of SVHC	Yes
EU RoHS Directive	Compliant <a href="#">EU RoHS Declaration</a>
Toxic heavy metal free	Yes
Mercury free	Yes
RoHS exemption information	<a href="#">Yes</a>
China RoHS Regulation	<a href="#">China RoHS declaration</a> Pro-active China RoHS declaration (out of China RoHS legal scope)
Environmental Disclosure	<a href="#">Product Environmental Profile</a>
PVC free	Yes

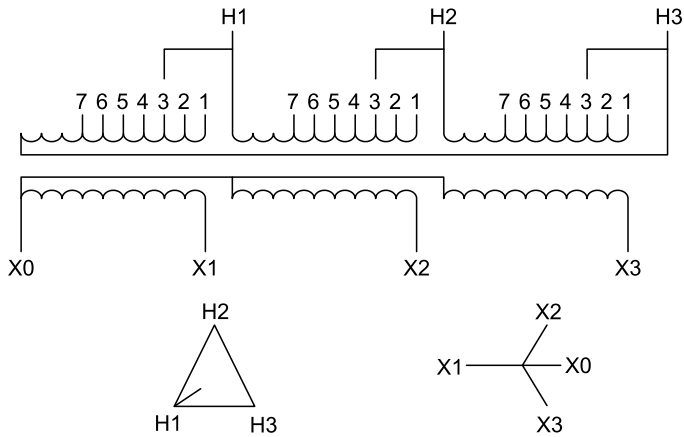


Dimensions



Dimensions are approximate.  
 Refer to technical documentation for additional information.

Wiring Diagram



IN EACH PHASE CONNECT TO TAPS	
PRIMARY VOLTS	2-2.5% FCAN 4-2.5% FCBN
504	1
492	2
480	3
468	4
456	5
444	6
432	7

NOTE: ACTUAL VOLTAGES &  
 NAMEPLATE VALUES MAY NOT  
 MATCH VOLTAGE IN TABLE

