



Price* : 105.00 USD



Main

Product or component type	Miniature circuit-breaker
Range of product	QOU
Circuit breaker type	Standard
Circuit breaker application	HACR and Switching Duty rated

Complementary

Line Rated Current	30 A
Electrical connection	Slotted box lugs, line side Slotted box lugs, load side
[Ue] rated operational voltage	120/240 V AC 120 V AC 48 V DC
Mounting mode	Unit mount
AWG gauge	AWG 14...AWG 2 aluminium/copper
Height	4.05 in (102.87 mm)
Width	1.5 in (38.10 mm)
Depth	2.95 in (74.93 mm)
Tightening torque	45 lbf.in (5.08 N.m) (AWG 14...AWG 2)

Environment

Product certifications	IEC CSA UL Listed
------------------------	-------------------------

Ordering and shipping details

Category	00900-QOU BREAKERS & SWITCH
----------	-----------------------------

* Price is "List Price" and may be subject to a trade discount – check with your local distributor or retailer for actual price.

Discount Schedule	DE2
GTIN	00785901825920
Package weight(Lbs)	12.64 oz (358.338 g)
Returnability	No
Country of origin	MX

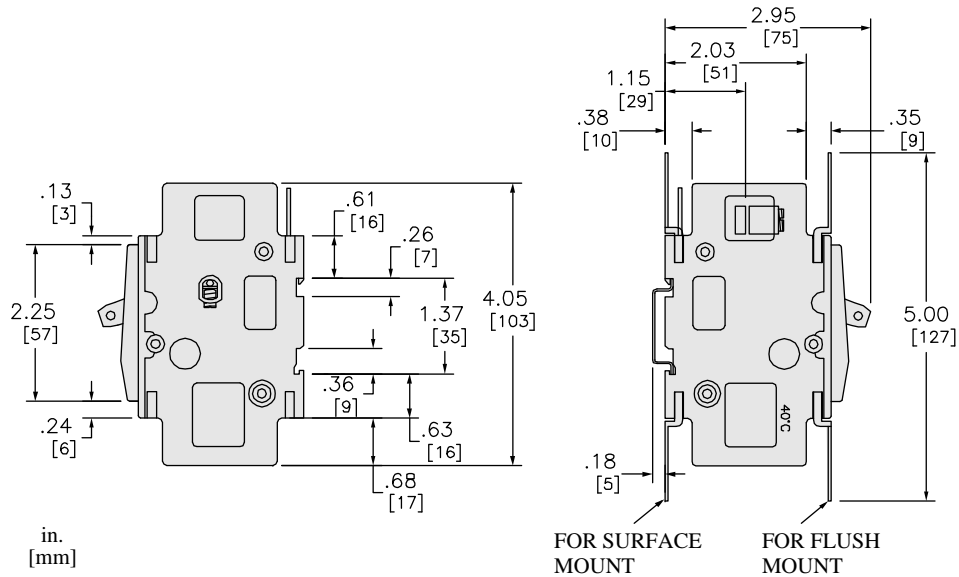
Offer Sustainability

Sustainable offer status	Green Premium product
REACH free of SVHC	Yes
EU RoHS Directive	Compliant EU RoHS Declaration
Toxic heavy metal free	Yes
Mercury free	Yes
RoHS exemption information	Yes
China RoHS Regulation	China RoHS declaration Pro-active China RoHS declaration (out of China RoHS legal scope)
Environmental Disclosure	Product Environmental Profile
Halogen content performance	Halogen free product

Contractual warranty

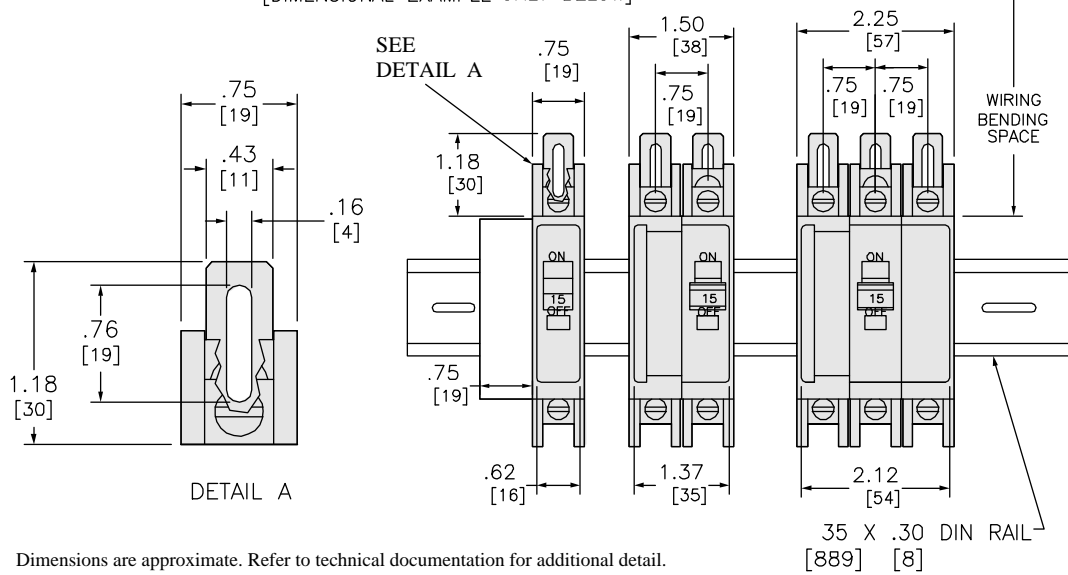
Warranty	18 months
----------	-----------

Dimensions



2.50 [64] MIN. WIRE BENDING SPACE FOR 2 AWG
 1.50 [38] MIN. WIRE BENDING SPACE FOR 14 AWG
 TYP. BOTH ENDS FOR ALL CB'S SHOWN
 PER ARTICLE 430-1-(B) NEC

[DIMENSIONAL EXAMPLE ONLY BELOW]



Dimensions are approximate. Refer to technical documentation for additional detail.