

Product data sheet

Characteristics

QOU21251021

Mini circuit breaker, QOU, 125A, 2 pole, 120/240 VAC, 10kA, shunt trip



Price* : 641.00 USD



Main

Product or component type	Miniature circuit-breaker
Range of product	QOU
Circuit breaker type	Standard

Complementary

Line Rated Current	125 A
Electrical connection	Slotted box lugs, line side Slotted box lugs, load side
[Ue] rated operational voltage	120/240 V AC 120 V AC 60 V DC
Mounting mode	Unit mount
AWG gauge	AWG 12...AWG 2/0 aluminium/copper
Height	4.45 in (113.03 mm)
Width	2.25 in (57.15 mm)
Depth	2.95 in (74.93 mm)
Tightening torque	45 lbf.in (5.08 N.m) (AWG 12...AWG 2/0)

Environment

Product certifications	UL Listed CSA IEC
------------------------	-------------------------

Ordering and shipping details

Category	00900-QOU BREAKERS & SWITCH
Discount Schedule	DE2

* Price is "List Price" and may be subject to a trade discount – check with your local distributor or retailer for actual price.

GTIN	00785901940722
Package weight(Lbs)	19.84 oz (562.455 g)
Returnability	No
Country of origin	MX

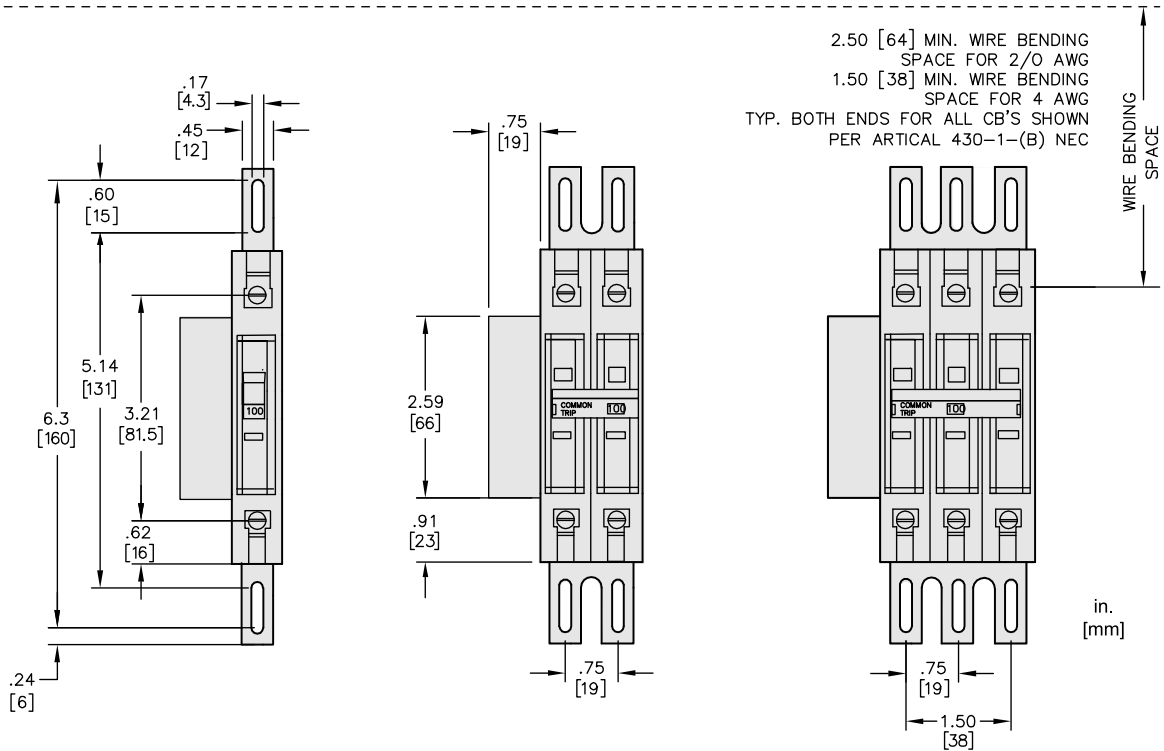
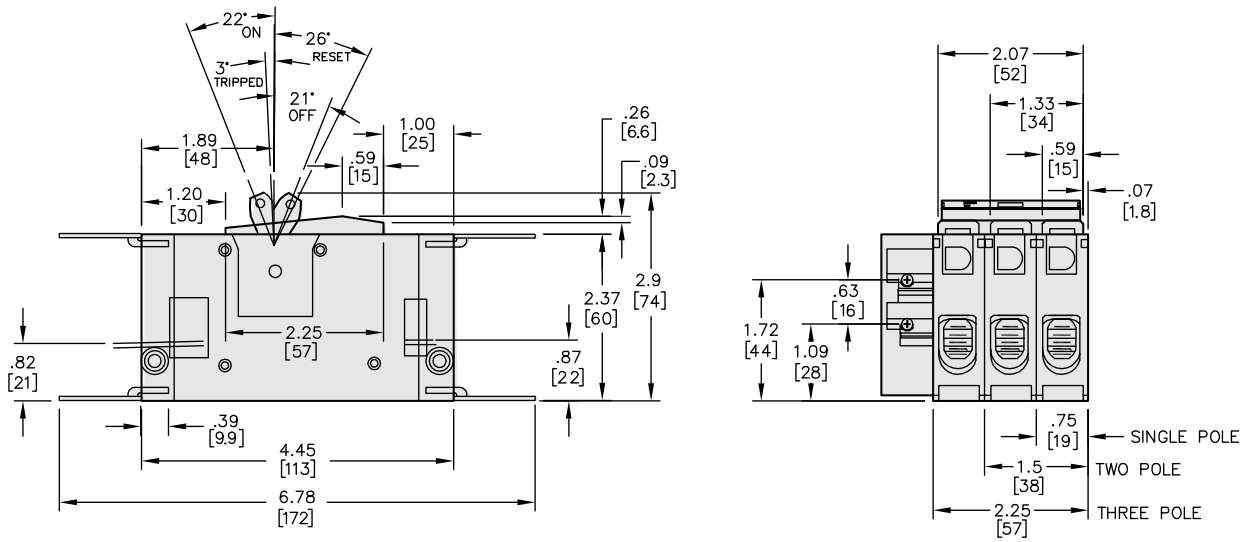
Offer Sustainability

Sustainable offer status	Green Premium product
REACH free of SVHC	Yes
EU RoHS Directive	Compliant EU RoHS Declaration
Toxic heavy metal free	Yes
Mercury free	Yes
RoHS exemption information	Yes
China RoHS Regulation	China RoHS declaration
Environmental Disclosure	Product Environmental Profile
Halogen content performance	Halogen free product

Contractual warranty

Warranty	18 months
----------	-----------

Dimensions



Dimensions are approximate. Refer to technical documentation, dimension drawings, or CAD for detail.

Wiring Diagram

Shunt Trip Wiring Diagram

