

# Product data sheet

## Characteristics

# HGL36100AASA

Circuit breaker, PowerPacT H, thermal magnetic, unit mount, 100A, 3 pole, 18 kA, 600 VAC, shunt trip, aux sw, 80% rated



Price\* : 2,715.00 USD



### Main

|                           |                 |
|---------------------------|-----------------|
| Range of product          | PowerPacT H     |
| Product or component type | Circuit breaker |

### Complementary

|                           |   |
|---------------------------|---|
| Line Rated Current        | 100 A   |
| Number of Poles           | 3P  |
| Breaking capacity code    | G   |
| Mounting mode             | Unit mount  |
| Magnetic hold current     | 900 A   |
| Magnetic tripping current | 1700 A  |
| Electrical connection     | Lugs load<br>Lugs line  |
| Tightening torque         | 44.25 lbf.in (5 N.m) 0.00...0.15 in <sup>2</sup> (2.5...95 mm <sup>2</sup> ) (AWG 14...AWG 3/0) |
| Height                    | 6.4 in (162.56 mm)  |
| Width                     | 4.12 in (104.65 mm)   |
| Depth                     | 4.36 in (110.74 mm)   |
| Continuous current rating | 80 %  |

### Environment

|                                       |                        |
|---------------------------------------|------------------------|
| Product certifications                | UL Listed<br>CE<br>CSA |
| Ambient air temperature for operation | 104 °F (40 °C)         |

\* Price is "List Price" and may be subject to a trade discount – check with your local distributor or retailer for actual price.

## Ordering and shipping details

|                     |  |
|---------------------|--|
| Category            | 01115-HG,HJ,JG,JJ UNIT MT BREAKER/SWITCH |
| Discount Schedule   | DE2                                      |
| GTIN                | 00785901496199                           |
| Package weight(Lbs) | 5.00 lb(US) (2.268 kg)                   |
| Returnability       | No                                       |
| Country of origin   | US                                       |

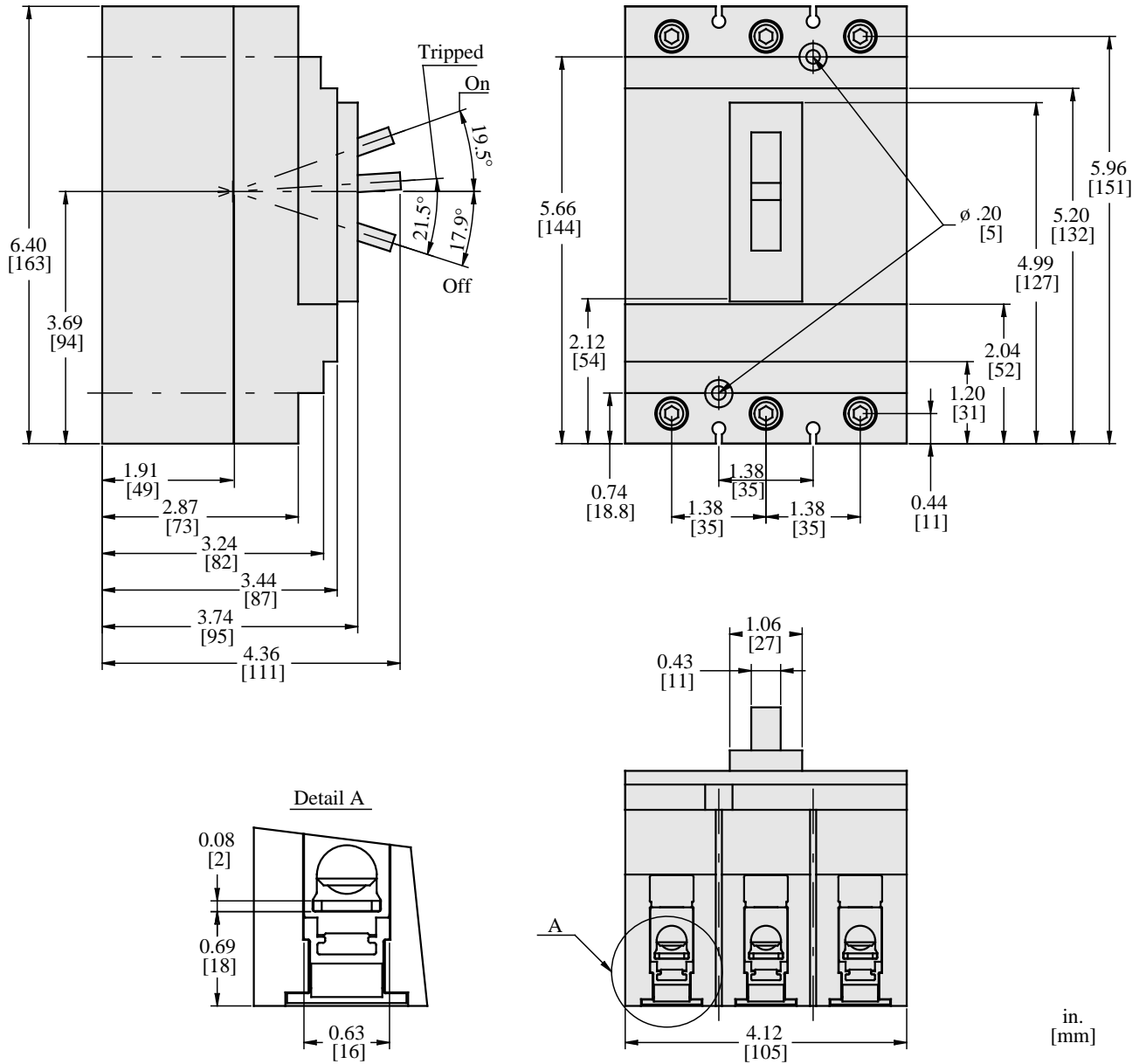
## Offer Sustainability

|                            |  |
|----------------------------|--|
| Sustainable offer status   | Green Premium product  |
| California proposition 65  | WARNING: This product can expose you to chemicals including: DINP, which is known to the State of California to cause cancer, and DIDP, which is known to the State of California to cause birth defects or other reproductive harm. For more information go to <a href="http://www.P65Warnings.ca.gov">www.P65Warnings.ca.gov</a> |
| REACH Regulation           | <a href="#">REACH Declaration</a>  |
| EU RoHS Directive          | Compliant<br><a href="#">EU RoHS Declaration</a>   |
| Mercury free               | Yes  |
| RoHS exemption information | <a href="#">Yes</a>  |
| China RoHS Regulation      | <a href="#">China RoHS declaration</a><br>Product out of China RoHS scope. Substance declaration for your information.   |
| Environmental Disclosure   | <a href="#">Product Environmental Profile</a>  |
| Circularity Profile        | <a href="#">End of Life Information</a>  |
| PVC free                   | Yes  |

## Contractual warranty

|          |           |
|----------|-----------|
| Warranty | 18 months |
|----------|-----------|

Dimensions



All dimensions are approximate. Also refer to technical drawings and documentation.