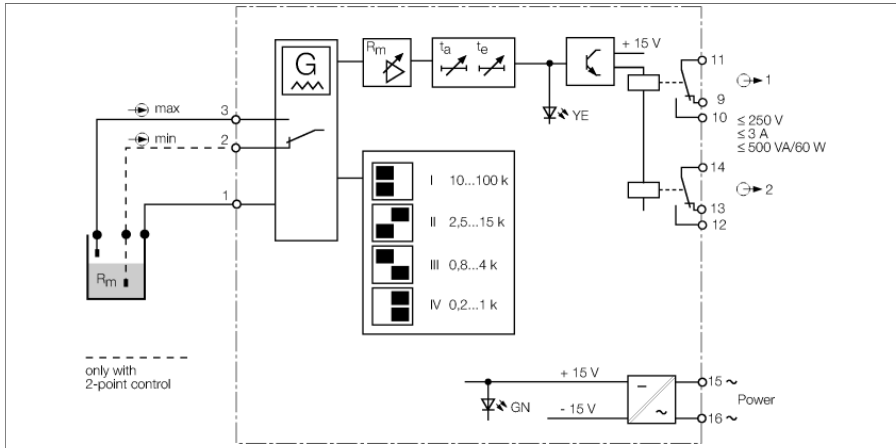


**Level controller
1-channel
MK91-12-R/230VAC**



The 1-channel level controller MK91-12-R/230VAC monitors and regulates conductive liquid levels.

As a dual level regulator, it can be used to control pumps or solenoid valves, as monitoring device it is designed for run-dry or over flow protection.

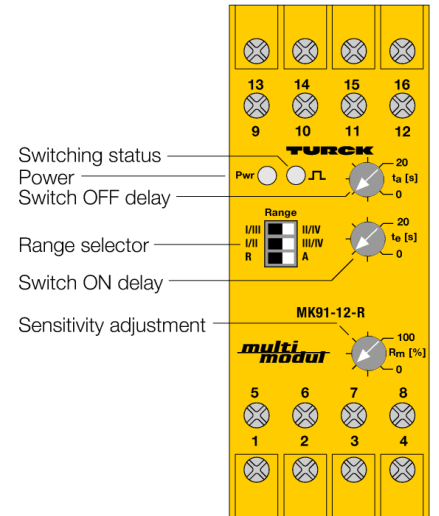
The level controller not only provides optimum reliability in differentiating liquids, it is also suited for the distinction between foam and liquid. The responsivity (liquid resistance) is adjustable between 0.2 ... 100 kΩ. First, select one of the four sensitivities with the "Range" switch. Then you can finetune the switchpoint via the potentiometer at the front.

The separately adjustable switch-on and switch-off delay is very important for turbulent liquid levels. You can set a delay time between 0 ... 20 s via the potentiometers at the front.

Two relay outputs each with one changeover contact are available to output the switching commands. You can toggle between closed current (R) and working current (A) with the "Range" switch.

The switching status of the output is indicated by a yellow LED and operational readiness by a green LED.

For further information, please order out installation guidelines.



- **Responsivity: 0.2...100 kΩ**
- **Hysteresis: 10%**
- **Output: 2 relays with 1 changeover contact**
- **Electronic switching of electrodes**
- **Switch-on/off delay 0...20 s, separately adjustable**
- **Reliable distinction between foam and liquid**
- **Galvanic isolation of input circuits, output circuits and power supply**

Level controller
1-channel
MK91-12-R/230VAC

| | |
|----------------------------------|--|
| Type designation | MK91-12-R/230VAC |
| Ident-No. | 7545070 |
| Nominal voltage | 230 VAC |
| Operating voltage | 184...264 VAC |
| Frequency | 48...62 Hz |
| Power consumption | ≤ 3 VA |
| Input circuits | 2 electrodes or alternatively 3 electrodes |
| Schaltpunkt | 0,2-100 kΩ |
| Probe voltage | 0,02...5 Vpp/150 Hz (triangle) |
| Schaltschwelle | 0,2...1 kΩ |
| Schaltschwelle | 0,8...4 kΩ |
| Schaltschwelle | 2,5...15 kΩ |
| Schaltschwelle | 10...100 kΩ |
| Einschaltverzögerung | 0...20 s |
| Ausschaltverzögerung | 0...20 s |
| Hysterese | 10% |
| Output circuits (digital) | 2 x relays (change-over) |
| Output switching voltage relay | ≤ 30 VDC / ≤ 250 VAC |
| Switching current per output | ≤ 3 A |
| Switching capacity per output | ≤ 500 VA/60 W |
| Switching frequency | ≤ 5 Hz |
| Contact quality | AgNi, 3μ Au |
| Galvanic isolation | |
| Test voltage | 2.5 kV |
| Indication | |
| Operational readiness | green |
| Switching state | Yellow |
| Protection class | IP20 |
| Ambient temperature | -25...+60 °C |
| Storage temperature | -40...+80 °C |
| Dimensions | 89 x 36 x 110 mm |
| Weight | 262 g |
| Mounting instructions | DIN rail (NS35) or panel |
| Housing material | Polycarbonate/ABS |
| Electrical connection | 4 × 4-pin flat terminals with self-lifting pressure plates |
| Terminal cross-section | 1 x 2.5 mm ² / 2 x 1.5 mm ² |

Dimensions

