



This station takes up to eight discrete three-wire inputs or four discrete four-wire input points per node. Each input automatically detects a sourcing (PNP) or sinking (NPN) open-collector signal. Any combination of NPN and PNP devices may be used, but both inputs on a connector must be the same type.

There are two inputs per connector—one on pin four and one on pin two. The LED at each input point turns green when the input is on. Each input pair is monitored for short-circuits and open-circuits. The status bits automatically reset when the fault is removed.

There are two outputs per connector—one on pin four and one on pin two. The LED at each output point turns green when the output is on. Each output pair is monitored for short-circuits and open-circuits.

The node address and communication rate can be set using the rotary switches located under the device cover or through software node commissioning. The unit automatically detects the network communication rate.

The FDNP-L0808G-ST supports explicit messaging, poll, change of state, and cyclic I/O messages. These connections are established through UCMM or predefined master/slave connection set.

Recommended Cordsets:

Bus line:

RSM RKM 579-*M or BK52C 579-*M

Auxiliary power:

RSM RKM 47- *M

Inputs:

VBRS-4.4 2RK 4T-*/* or

RK 4.4T-* -RS 4.4T/RK 4.5T-* -RS 4.5T

Outputs:

VBRS-4.4 2RK 4T-*/* or

RK 4.4T-* -RS 4.4T

FDNP-L0808G-ST

- Advanced DeviceNet™ station
- 4 x 2 discrete inputs and 4 x 2 discrete outputs

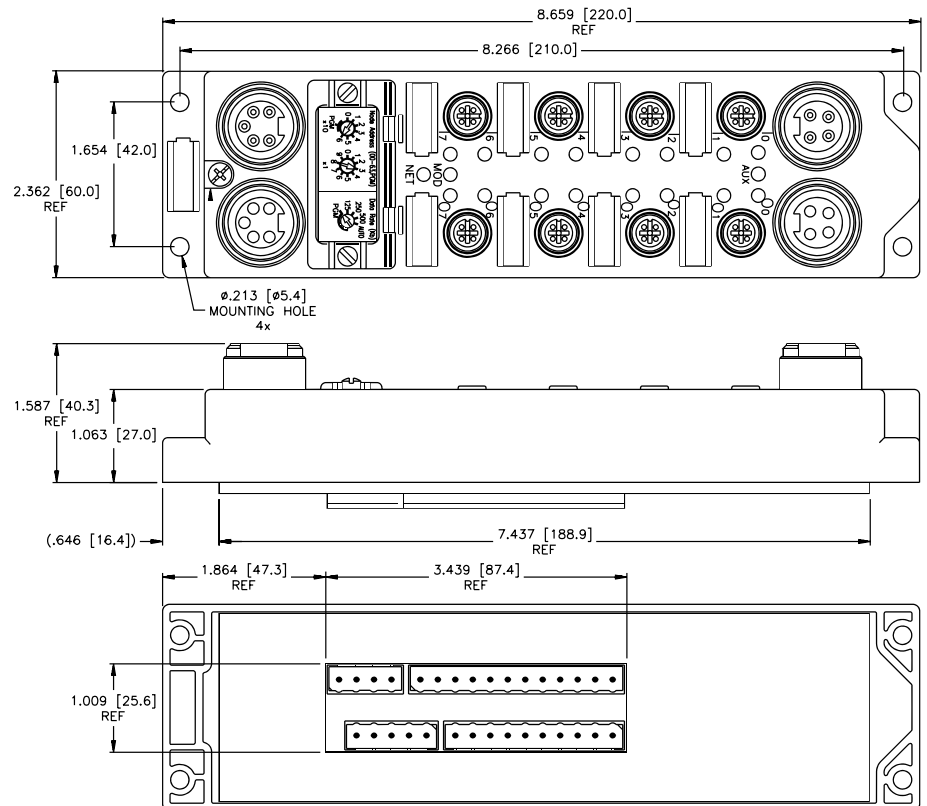
Applications

- For wet or dry environments
- For use with eight 3-wire or four 4-wire proximity and photoelectric sensors, and eight discrete actuators

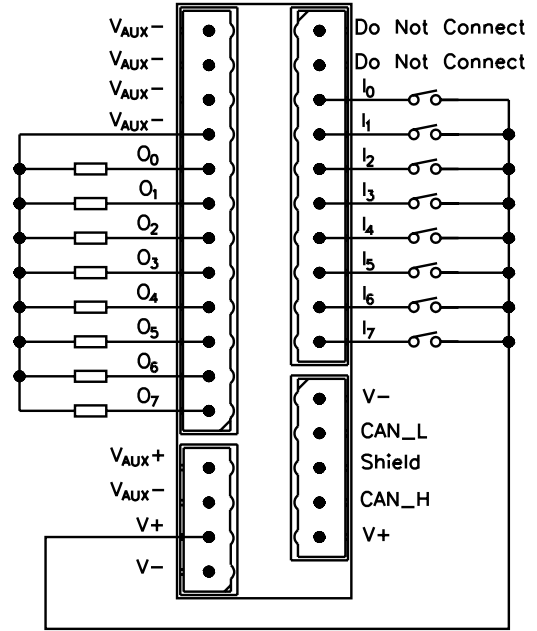
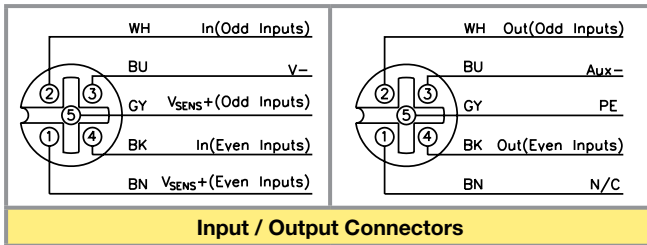
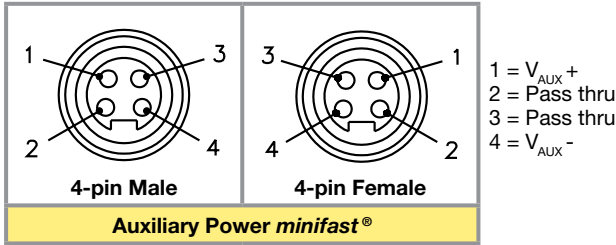
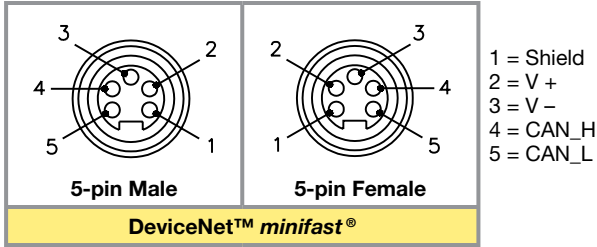
Features

- NPN/PNP short-circuit protected inputs with open-circuit protection
- 0.5 amp short-circuit protected outputs
- Glass filled nylon with nickel plated brass connectors
- Rotary address switches
- I/O, bus, 2 auxiliary power connector out back

Dimensions



Connectors



Note: No open circuit detection will be available from the terminal strip.

I/O Data Mapping

Item Number F2023
Product Type / Code: 7/2023

	Byte	Bit 7	Bit 6	Bit 5	Bit 4	Bit 3	Bit 2	Bit 1	Bit 0
Input Data	0	I-7	I-6	I-5	I-4	I-3	I-2	I-1	I-0
	1	ISS-7	ISS-6	ISS-5	ISS-4	ISS-3	ISS-2	ISS-1	ISS-0
	2	IOS-7	IOS-6	IOS-5	IOS-4	IOS-3	IOS-2	IOS-1	IOS-0
	3	OS-7	OS-6	OS-5	OS-4	OS-3	OS-2	OS-1	OS-0
	4	-	APS	-	-	-	-	-	-
Output Data	Byte	Bit 7	Bit 6	Bit 5	Bit 4	Bit 3	Bit 2	Bit 1	Bit 0
	0	O-7	O-6	O-5	O-4	O-3	O-2	O-1	O-0

Abbreviations

- I = Input Data (0=OFF, 1=ON)
- ISS = Input Short Status (0 = Working, 1 = Fault)
- IOS = Input Open Status (0 = Working, 1 = Fault)
- O = Output Data (0=OFF, 1=ON)
- OS = Output Status (0 = Working, 1 = Fault)
- APS = Aux Power Status (0=OFF, 1=ON)

Module Specifications**Supply Voltage**

Bus Power	11-26 VDC
Internal Current Consumption	≤ 75 mA (from bus power)
Auxiliary Power	18-26 VDC

Input Circuits (8) PNP 3-wire sensors or dry contacts

Input Voltage (V+)	13-26 VDC (from bus power)
Input Signal Current (I)	OFF <2 mA ON 3.0-3.4 mA at 24 VDC
Input Delay	2.5 ms
Maximum Switching Frequency	100 Hz
Input Short-Circuit (V+)	700 mA-2.0A (total)

Output Circuits (8) DC actuators

Output Voltage	18-26 VDC (from auxiliary power)
Output Load Current	0.5 A per output (from auxiliary power)
Open Circuit Current	<1 mA per output
Maximum Switching Frequency	100 Hz

I/O LED Indications

Off = Not active
Green = Active
Amber = Open circuit fault
Red = Short circuit fault

Module Status LED

Off = Power off
Green = Operating
Flashing green = Autobaud
Flashing red/green = Self test
Red = Unrecoverable fault

Network Status LED

Off = Off-line
Green = Connected
Flashing green = On-line
Flashing red = I/O time-out
Flashing red/green = Self test
Red = Critical link failure

Auxiliary Power Status LED

Off = Power off
Green = Power on

Adjustments**via rotary switch**

0-63
Auto/125k/250k/500k

Housing

Material	Glass-filled nylon, nickel plated brass connectors
Enclosure	NEMA 1, 3, 4, 12, 13 and IEC IP 67,
Operating Temperature	-40° to +70°C (-40° to 158° F)