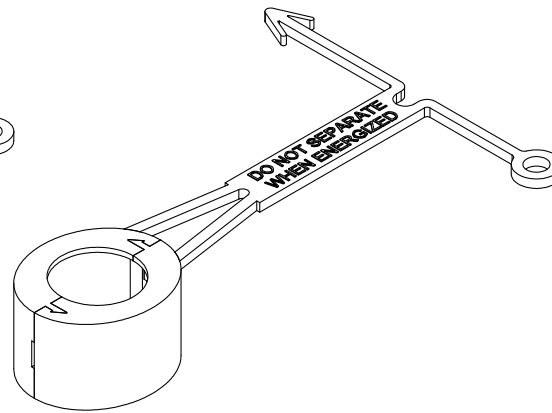
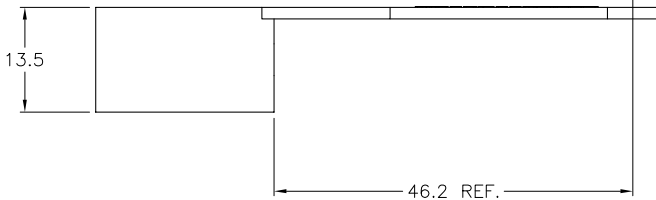
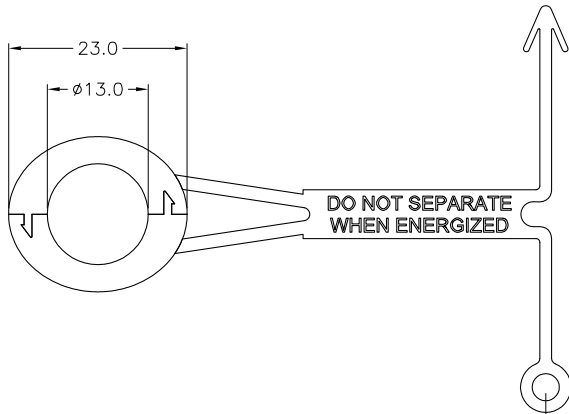


OPEN POSITION



CLOSED POSITION



SOURCE DRAWING - FOR REFERENCE ONLY

RELATED DOCUMENTS		3RD ANGLE PROJECTION		THIS DRAWING IS PROPERTY OF TURCK INC. USE OF THIS DOCUMENT WITHOUT WRITTEN PERMISSION IS PROHIBITED.		<b>TURCK INC</b> High Technology Sensors and Automation Controls 3000 CAMPUS DRIVE MINNEAPOLIS, MN 55441 1-800-544-7769 (763) 553-7300 (763) 553-0708 fax turck.com	
1.				DRFT RDS		DATE 06/08/10	
2.				DSGN		SCALE 1=1.0	
3.		ALL DIMENSIONS DISPLAYED ON THIS DRAWING ARE FOR REFERENCE ONLY  CONTACT TURCK FOR MORE INFORMATION		UNIT OF MEASUREMENT		DESCRIPTION	
4.				MILLIMETERS		LOCK-EURO-SMALL	
MATERIAL		NYLON		DO NOT SCALE THIS DRAWING		IDENTIFICATION NO.	
FINISH		BLACK		FILE: A9236		REV	
A		DRAWING RELEASE		RDS		A	
REV		DESCRIPTION		BY		SHEET 1 OF 2	
		DATE		ECO NO.			

A	DRAWING RELEASE	RDS	06/08/10	
REV	DESCRIPTION	BY	DATE	ECO NO.