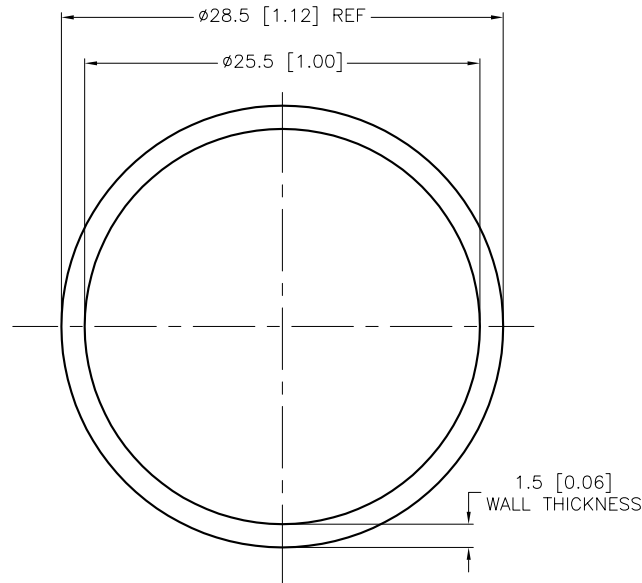


SPECIFICATIONS


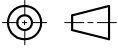
MATERIAL	60 DURO TRANSLUCENT SILICONE RUBBER
TEMPERATURE RATING	232°C (450°F)
TENSILE STRENGTH	1275 PSI
ELONGATION	400%
TEAR STRENGTH, DIE B	100 PPI



SOURCE DRAWING - FOR REFERENCE ONLY

NOTES:

1. 15 METER SPOOL OF SILICONE TUBING.

RELATED DOCUMENTS		3RD ANGLE PROJECTION		THIS DRAWING IS PROPERTY OF TURCK INC. USE OF THIS DOCUMENT WITHOUT WRITTEN PERMISSION IS PROHIBITED.		 3000 CAMPUS DRIVE MINNEAPOLIS, MN 55441 1-800-544-7769 (763) 553-7300 (763) 553-0708 fax turck.com	
1. 2. 3. 4.				DRFT *CK	DATE 09/01/10	DESCRIPTION ST ID 1-INCH-15M	
MATERIAL SEE SPECIFICATIONS		ALL DIMENSIONS DISPLAYED ON THIS DRAWING ARE FOR REFERENCE ONLY		DSGN	SCALE 1=.5	IDENTIFICATION NO. A9644	
FINISH SEE SPECIFICATIONS		CONTACT TURCK FOR MORE INFORMATION		UNIT OF MEASUREMENT MILLIMETER [INCH]		REV A	
A DRAWING RELEASE		*CK	09/02/10	DO NOT SCALE THIS DRAWING		FILE: A9644	
REV	DESCRIPTION	BY	DATE	ECO NO.	SHEET 1 OF 1		