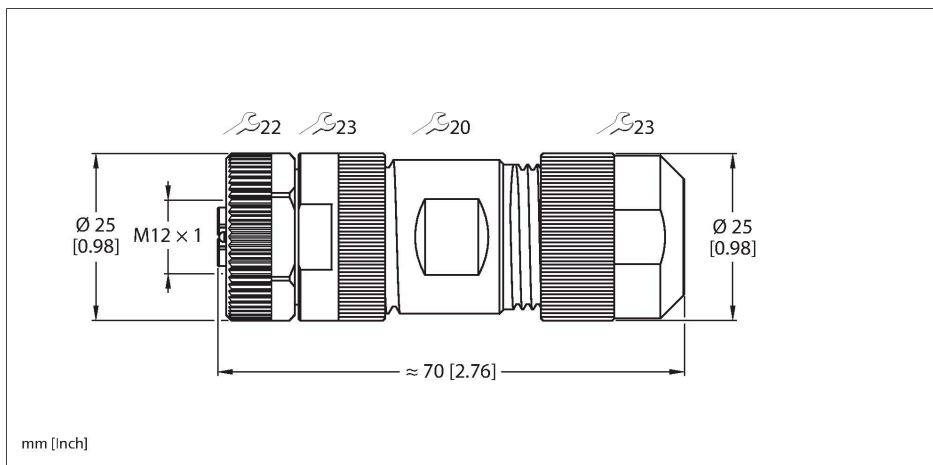


RK56PL-S-0

M12 Power – Field-Wireable Connector

Female Connector, M12 × 1, Straight



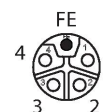
Technical data

Type	RK56PL-S-0
ID no.	U2-33832
Connector A	Female, M12 × 1, Straight, L-code
Number of Pins	4+FE
Contacts	CuZn, Gold-plated
Contact carriers	Plastic, PA UL94-V0, Gray
Connector body	Plastic, PA, Black
Coupling nut	Die-cast Zinc, GD-Zn, Nickel-plated
Connector seal	Plastic, FPM/FKM
Panel seal	plastic
External diameter of the cable	min. 8...13 mm
Connection mode	Screw/clamp connection
Mechanical life	> 100 Mating cycles
Protection class (When coupled)	IP67, (screwed together)
Shield	no
Electrical properties at +20 °C	
Rated voltage	63 V
Current	16 A
Mechanical and chemical properties	
Ambient temperature range (static)	-40 °C...+85 °C

Features

- L-coding
- Metal coupling nut
- Screw-clamp terminal
- 5-pin (4+FE)
- Cable feedthrough: 8.0...13.0 mm
- Terminal capacity:
 - Max. 1.5 mm² or 16 AWG (with cable end sleeve)
 - Max. 2.5 mm² or 14 AWG (without cable end sleeve)

Contact assignment



Technical data

Note

- CAUTION: RISK OF ELECTRICAL SHOCK. DO NOT DISCONNECT UNDER LOAD.

- We reserve the right to make technical alterations without prior notice.

Derating Curve

