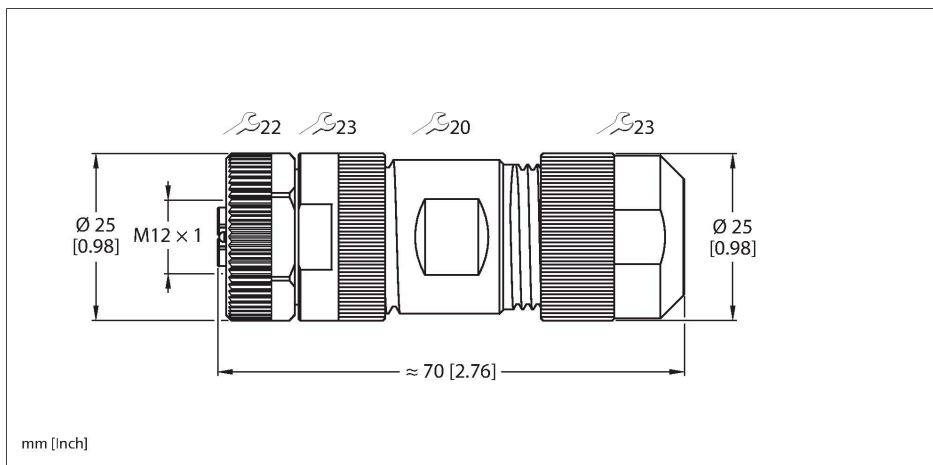


# RK56PK-S-0

## M12 Power – Field-Wireable Connector

### Female Connector, M12 × 1, Straight



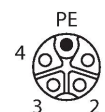
#### Technical data

Type	RK56PK-S-0
ID no.	U2-33830
Connector A	Female, M12 × 1, Straight, K-coded
Number of Pins	4+PE
Contacts	CuZn, Gold-plated
Contact carriers	Plastic, PA UL94-V0, Black
Connector body	Plastic, PA, Black
Coupling nut	Die-cast Zinc, GD-Zn, Nickel-plated
Connector seal	Plastic, FPM/FKM
Panel seal	plastic
External diameter of the cable	min. 8...13 mm
Connection mode	Screw/clamp connection
Mechanical life	> 100 Mating cycles
Protection class (When coupled)	IP67, (screwed together)
Shield	no
<b>Electrical properties at +20 °C</b>	
Rated voltage	630 V
Current	12 A
<b>Mechanical and chemical properties</b>	
Ambient temperature range (static)	-40 °C...+85 °C

#### Features

- K-coding
- Metal coupling nut
- Screw-clamp terminal
- 5-pin (4+PE)
- Cable feedthrough: 8.0...13.0 mm
- Terminal capacity:
  - Max. 1.5 mm<sup>2</sup> or 16 AWG (with cable end sleeve)
  - Max. 2.5 mm<sup>2</sup> or 14 AWG (without cable end sleeve)

#### Contact assignment



## Technical data

### Note

- CAUTION: RISK OF ELECTRICAL SHOCK. DO NOT DISCONNECT UNDER LOAD.

- We reserve the right to make technical alterations without prior notice.

## Derating Curve

