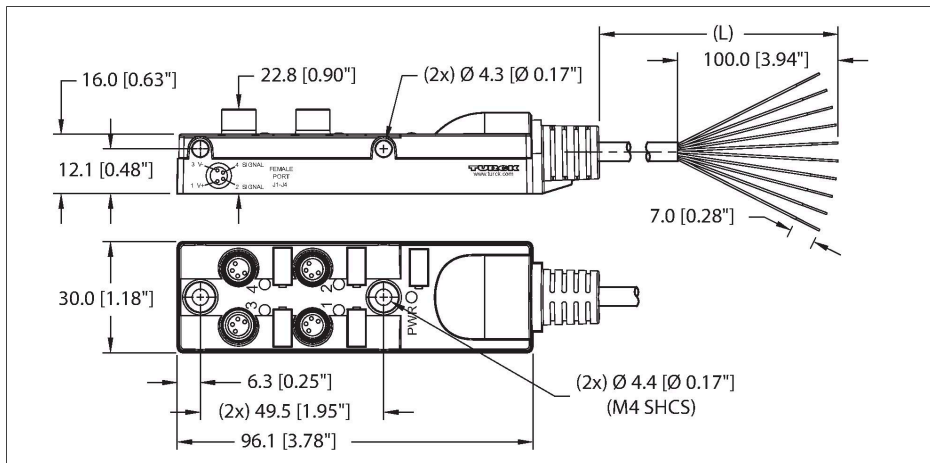


TB-4M8M-4-1/S101

Junction Box - Actuator/Sensor, 4-port – M8, 4 pole I/O port with cable homerun

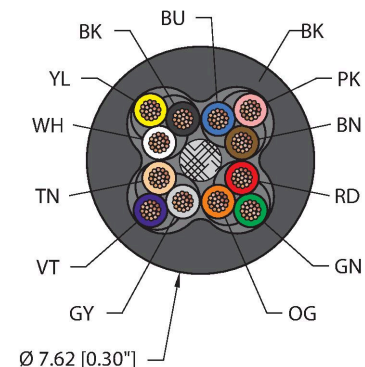


Features



- Housing material: Nylon
- Housing color: Black
- Fully encapsulated
- Protection class: IP67, IP68, IP69, IP69K; NEMA 1, 3, 4, 6P, 12
- RoHS compliant
- CE compliant
- I/O port: 4-pin
- flexlife20
- Flexlife™ Cable
- Black TPE jacket, 12X24 AWG
- -40 Cold Bend Rating
- Flame Ratings: UL1061, CSA FT1
- Flexlife® and C-Track Approved
- Cable length: 1 m

Cable cross section



Technical data

| | |
|---------------------------------|--|
| Type | TB-4M8M-4-1/S101 |
| ID no. | UX15933 |
| Distributed I/O | Junction box, 4, with integral homerun cable |
| Housing | Plastic, PA 6 GF30, Black |
| I/O Port | M8 x 1, Female |
| Design specification | Acc. to IEC 61076-2-104 |
| Number of Pins | 4 |
| Contacts | Brass, CuZn, Gold-plated |
| Contact carriers | Plastic, PA 4.6 GF30, Black |
| Connector seal | O-ring, Plastic, FKM/FPM |
| Housing material/finish | Brass, CuZn, Nickel-plated |
| Mechanical life | > 100 Mating cycles |
| Pollution degree | 3 |
| Protection class (When coupled) | IP67, IP68, IP69, IP69K NEMA: 1, 3, 4, 6P, 12 |
| Homerun connector | Side exit |
| Cable data | |
| Cable ID | RF50943 |
| Total number of conductors | 12 |
| Cable diameter | Ø 7.62 mm |
| Cable length (L) | 1 m (+50mm or 4% of length/-0.0, Whichever is greater) |

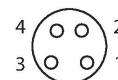
TB-4M8M-4-1/S101 | 06/09/2021 14-32 | technical changes reserved

Technical data

| | |
|-------------------------------|--|
| Cable jacket | TPE, Black |
| Conductor diameter | 0.042 " |
| Conductor material | TC (tinned copper) |
| Conductor insulation material | TPC-ET |
| Conductor size | 12 x 24 AWG [Similar to 0.25 mm ²] |
| Number of strands x O.D. | 19 x 0.005 " |
| Conductor colors | BU, PK, BN, RD, GN, OG, TN, GY, VT, YL, BK, WH |

Contact assignment

I/O Connector



| Electrical properties at +20 °C | |
|-------------------------------------|--|
| Rated voltage | 30 VDC |
| Current | 2 A per signal contact, total current 6 A |
| Mechanical and chemical properties | |
| Bending radius (static) | ≥ 5 x Ø |
| Bending radius (dynamic) | ≥ 10 x Ø |
| Torsion rating | 20 million |
| Cold bend rating | -40 °C |
| Flex rating 10 x Ø | 20 million cycles * |
| Flex rating 15 x Ø | 20 million cycles |
| Flex rating 20 x Ø | 20 million cycles* |
| | *When properly installed @ 20°C, 50%RH, and a cycle speed of ≤0.5 cycles per second. |
| C-Track | Yes |
| Ambient temperature range (static) | -40 °C...+85 °C |
| Ambient temperature range (dynamic) | -40 °C...+85 °C |
| Temperature range (installation) | -20 °C...+85 °C |
| Approval | |
| Approvals | CE RoHS |
| Note | |
| | - Flex ratings may be reduced if used in extreme temperatures, exposure to certain chemicals, operating above the rated cycle speed, or operating below the rated cable bend radius. |
| | - We reserve the right to make technical alterations without prior notice. |

Scope of delivery

| Device | Quantity | Description |
|----------------|----------|---------------------------------------|
| Junction boxes | 1 | Passive actuator/sensor junction box |
| PSGK-MC | 2 | Closure caps for M8 female connectors |
| KS5/10 | 5 | Labels |

Accessories

| Ident-No. | Part Number | Description |
|-----------|---------------------------------------|---|
| U0892-90 | BKM 14-943-5/S101 | Connection cordset, female, M16, 14-pin, straight, 5m * (homerun) |
| U2-07158 | BK 14-0 | Field-wireable, female, M16, 14-pin, straight,(6-8mm) |
| U2-07157 | BS 14-0 | Field-wireable, male, M16, 14-pin, straight,(6-8mm) |
| A1050 | KS 5/10 (10/LABELS) | Labels |
| U0136-00 | PSG 4M-2 | Cordset, male, M8 x 1, 4-pin, straight, 2m * (I/O port) |
| U99-11408 | PSW 4M-2 | Cordset, male, M8 x 1, 4-pin, right-angle, 2m * (I/O port) |
| U6427 | PSGM-CC (8/BAG) | Dust cap, male, M8 x 1, Plastic, (8/BAG) |
| A900154 | TORQUE-WRENCH-SET-M12&M8-LEGACY | Torque wrench set, Torque driver, torque setting tool, M12 fitting, M8 fitting. |
| A900101 | PICOBOX ADAPTOR PLATE, 4 PORT (1PACK) | Allows new picobox to utilize the previous version mounting hole locations. |

* Other lengths available on request

