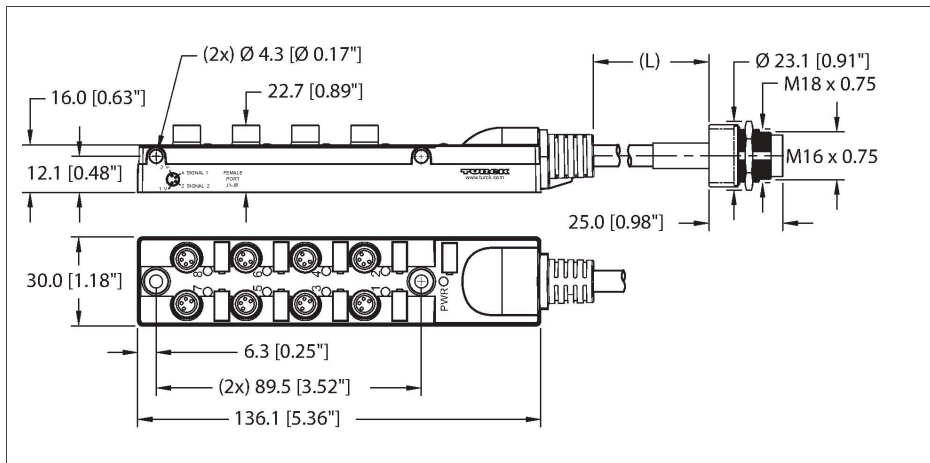


TB-8M8M-4-0.3-BSFD19-942

Junction Box - Actuator/Sensor, 8-port – M8x1 I/O Steckplatz mit fest angeschlossener Leitung



Features

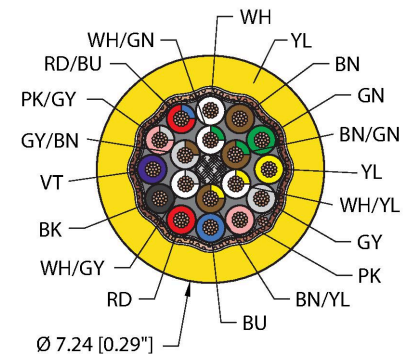


- Housing material: Nylon
- Housing color: Black
- Fully encapsulated
- Protection class: IEC: IP67
- RoHS compliant
- CE compliant
- I/O port: 4-pin
- General Purpose Cable
- Yellow PVC jacket, shielded, 18X24 AWG
- -40 Cold Bend Rating
- Flame Ratings: UL1061, CSA FT1
- Cable length: 0.3 m

Technical data

Type	TB-8M8M-4-0.3-BSFD19-942
ID no.	UX12932
Distributed I/O	Junction box, 8, with integral homerun cable
Housing	Plastic, PA 6 GF30, Black
I/O Port	M8 x 1, Female
Design specification	Acc. to IEC 61076-2-104
Number of Pins	4
Contacts	Brass, CuZn, Gold-plated
Contact carriers	Plastic, PA 4.6 GF30, Black
Connector seal	O-ring, Plastic, FKM/FPM
Housing material/finish	Brass, CuZn, Nickel-plated
Mechanical life	> 100 Mating cycles
Pollution degree	3
Protection class (When coupled)	IP67, IP68, IP69, IP69K NEMA: 1, 3, 4, 6P, 12
Homerun connector	M16 x 1 with cable, Male, Side exit
Connector B	M16 x 0.75
Number of contacts	19
Contacts	Brass, CuSn, Gold-plated
Contact carriers	Plastic, TPU, Black
Flange housing	Brass, CuZn, Nickel-plated
Panel seal	Rear mount

Cable cross section



TB-8M8M-4-0.3-BSFD19-942 | 06/09/2021 14-38 | technical changes reserved

Technical data

Mounting Thread B	M18 × 0.75
Locknut	Brass, CuZn, Nickel-plated
Mechanical lifespan	> 100 Mating cycles
Pollution degree	3
Protection class (When coupled)	IP67

Cable data

Total number of conductors	18
Cable diameter	Ø 7.24 mm
Cable length (L)	0.3 m (+50mm or 4% of length/-0.0, Whichever is greater)
Cable jacket	PVC, Yellow
Shield	Aluminum/polyester (OUT)
Braid material	38 AWG, TC (Tinned Copper), 65% coverage
Cable drain	26 AWG, TC (Tinned Copper)
Conductor diameter	0.038 "
Conductor material	TC (tinned copper)
Conductor insulation material	SR-PVC
Conductor size	18 x 24 AWG [Similar to 0.25 mm ²]
Number of strands x O.D.	19 x 36 AWG
Conductor colors	BN/GN, WH/YL, BN/YL, WH/GY, GY/BN, WH/GN, WH, BN, GN, YL, GY, PK, BU, RD, BK, VT, PK/GY, RD/BU

Electrical properties at +20 °C

Rated voltage	30 VDC
Current	2 A per signal contact, total current 6 A

Mechanical and chemical properties

Bending radius (static)	≥ 5 x Ø
Bending radius (dynamic)	≥ 15 x Ø
Cold bend rating	-40 °C
Ambient temperature range (static)	-40 °C...+85 °C
Ambient temperature range (dynamic)	-40 °C...+85 °C
Temperature range (installation)	-20 °C...+85 °C

Approval

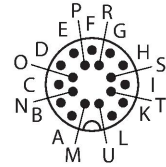
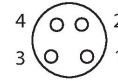
Approvals	CE RoHS
-----------	------------

Note

- Flex ratings may be reduced if used in extreme temperatures, exposure to certain chemicals, operating above the

Contact assignment

I/O Connector



Technical data

rated cycle speed, or operating below the rated cable bend radius.

- We reserve the right to make technical alterations without prior notice.

Scope of delivery

Device	Quantity	Description
Junction boxes	1	Passive actuator/sensor junction box
PSGK-MC	2	Closure caps for M8 female connectors
KS5/10	9	Labels

Accessories

Ident-No.	Part Number	Description
U0915-69	BKM 19-995-5	Connection cordset, female, M16, 19-pin, straight, 5m * (homerun)
U2-07160	BK 19-0	Field-wireable, female, M16, 19-pin, straight,(6-8mm)
A1050	KS 5/10 (10/LABELS)	Labels
U0136-00	PSG 4M-2	Cordset, male, M8 x 1, 4-pin, straight, 2m * (I/O port)
U99-11408	PSW 4M-2	Cordset, male, M8 x 1, 4-pin, right-angle, 2m * (I/O port)
U6427	PSGM-CC (8/BAG)	Dust cap, male, M8 x 1, Plastic, (8/BAG)
A900154	TORQUE-WRENCH-SET-M12&M8-LEGACY	Torque wrench set, Torque driver, torque setting tool, M12 fitting, M8 fitting.
A900102	PICOBOX ADAPTOR PLATE, 8 PORT (1PACK)	Allows new picobox to utilize the previous version mounting hole locations.

* Other lengths available on request

Circuit Diagram

