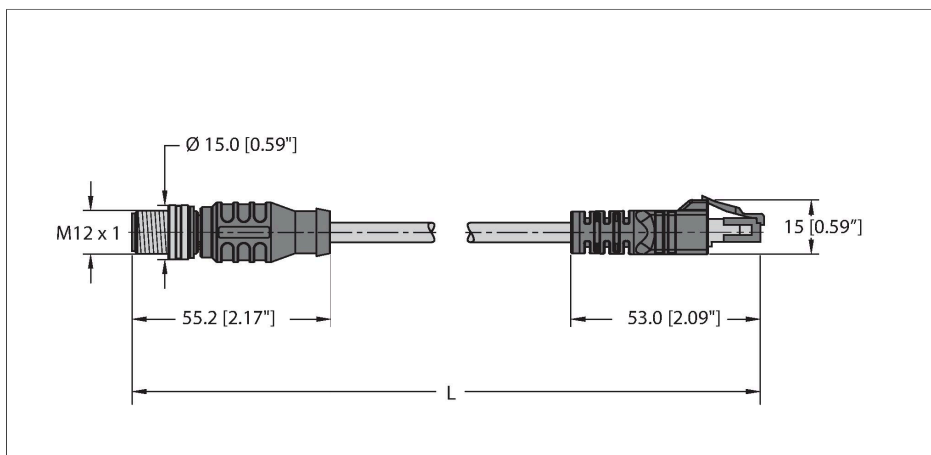


RSSX RJ45S 860-5M

Industrial Ethernet/TPE Cable – Extension Cable



Features

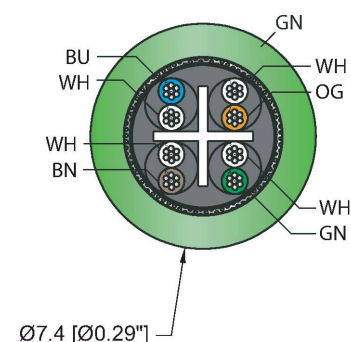


- Ethernet cable: 8-pin, AWG 26, CAT 6A
- Jacket material: TPE
- Jacket color: green
- Jacket diameter: 7.4 mm
- Paired and shielded
- Oil-resistant
- UV-resistant
- Resistant to welding sparks
- Suitable for use with torsion cables and drag chains
- RoHS-compliant
- Approvals: UL
- Protection class IP67
- RJ45 male connector, straight, 8-pin
- RJ45 connector
- Cable length: 5.0 m
- M12, Male, Straight, 8-pin, X-Code
- RJ45, Male, Straight, 8-pin, Shielded
- Industrial Ethernet Cable
- Fieldbus type: Ethernet CAT6A, Teal TPE jacket, shielded, 4UTPX26 AWG
- -40 Cold Bend Rating
- Flame Ratings: UL 1666, UL1061
- Flexlife®
- Cable length: 5 m

Technical data

Type	RSSX RJ45S 860-5M
ID no.	U2-29224
Connector A	Male, M12 × 1, Straight, X-code
Number of Pins	8
Contacts	Metal, CuZn, Gold-plated
Contact carriers	Plastic, TPU, Black
Connector body	Plastic, TPU, Black
Coupling nut	Brass, CuZn, Nickel-plated
Tightening torque (range)	0.8 ... 1 Nm (note max. torque of mating connector!)
Mechanical life	> 100 Mating cycles
Pollution degree	3
Protection class (When coupled)	IP67, Only in screwed condition
Connector B	Male, RJ45, Straight
Number of contacts	8
Contacts	Metal, CuSn, Gold-plated
Contact carriers	Plastic, PC, Transparent
Connector body	Plastic, TPU, Black
Protection class (When coupled)	IP20
Cable data	
Cable ID	RF52026
Fieldbus	Ethernet
Total number of conductors	8
Cable diameter	Ø 7.4 mm ± 0.25

Cable cross section



Technical data

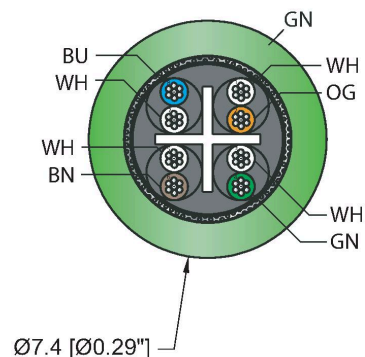
Cable length (L)	5 m (+50mm or 4% of length/-0.0, Whichever is greater)
Cable jacket	TPE, Green
Shield	Aluminum/Polyester foil, tinned copper wire
Braid material	38 AWG, TC (Tinned Copper), 75% coverage
Conductor material	TC (tinned copper)
Conductor insulation material	HDPE
Conductor size	8 x 0.14 mm ²
Number of strands x O.D.	7 x 0.16 mm
Conductor colors	WH(OG) OG;WH(GN) GN;WH(BN) BN;WH(BU) BU
Description of assembly	UTP (Unshielded Twisted Pair)
Number of assemblies	4
Conductor diameter	0.034 "
Conductor insulation material	HDPE
Cable conductor cross-section	2x26 AWG [Similar to 0.14 mm ²]
Number of strands x O.D.	7x34 AWG
Electrical properties at +20 °C	
Rated voltage	48 V
Current	0.5 A
DC resistance (loop)	145 Ω/km
Mechanical and chemical properties	
Bending radius (static)	≥ 4 x Ø
Bending radius (dynamic)	≥ 10 x Ø
Torsional stress	± 270 °/m
Torsion rating	≤3 million
Cold bend rating	-40 °C
Flex rating 10 x Ø	1 million cycles *
Flex rating 20 x Ø	10 million cycles*
	*When properly installed @ 20°C, 50%RH, and a cycle speed of ≤0.5 cycles per second.
Ambient temperature range (static)	-40 °C...+75 °C
Ambient temperature range (dynamic)	-40 °C...+75 °C
Temperature range (installation)	-20 °C...+80 °C
Qualified for drag chain use	yes
Approval	
Approvals	cULus CE

Contact assignment

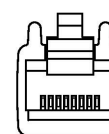
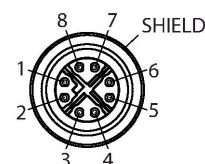
Connector A



Connector B



Pin Assignment Left



12345678

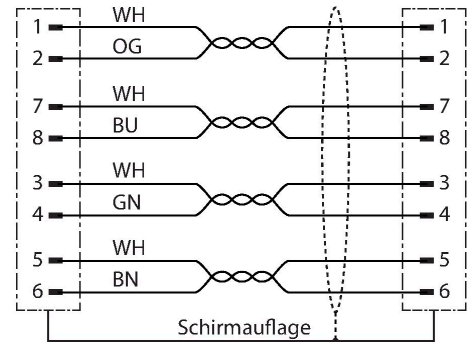
Technical data

RoHS

Note

- Flex ratings may be reduced if used in extreme temperatures, exposure to certain chemicals, operating above the rated cycle speed, or operating below the rated cable bend radius.
- We reserve the right to make technical alterations without prior notice.

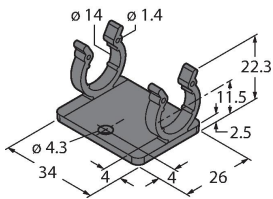
Circuit Diagram



Accessories

M12-CORDSETS-MOUNTING-CLIP-(10/BAG)

100016882



10 Pack of black mounting clips and M4x8mm mounting screws, used to secure cable to cable connection points.