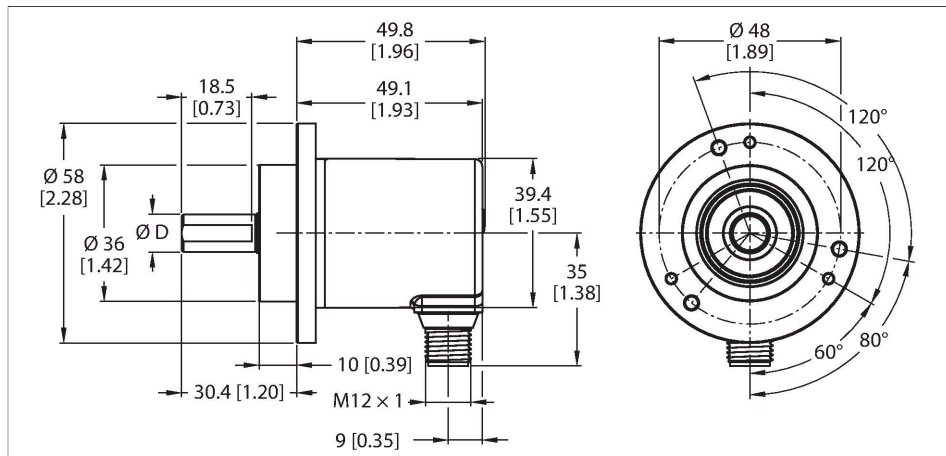


REM-E-195T10C-IOL32B-H1141

Absolute Rotary Encoder - Multiturn – IO-Link

Efficiency Line



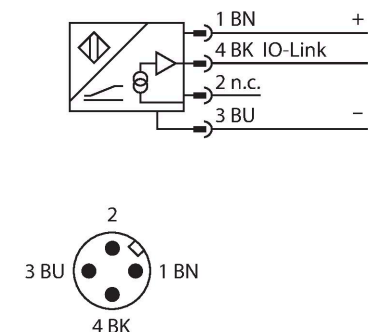
Features

- $\varnothing 58$ mm clamping flange
- Solid shaft, $\varnothing 10$ mm x 20mm
- Optical measuring principle
- Shaft material, stainless steel
- Protection class IP64 on housing and shaft side
- -20...+70 °C
- Max. 4000 rpm (continuous operation 2000 rpm)
- Energy harvesting technology
- 10-30 VDC
- SSI (Binary Code)
- M12 connection, 8-pin
- Singleturn resolution 14 bit scalable, default 14 bit
- Multiturn resolution scalable only to 18 bits over total resolution, default 18 bits
- Total resolution 32 bit scalable, default 32 bit

Technical data

Type	REM-E-195T10C-IOL32B-H1141
Ident. no.	100021186
Measuring principle	Magnetic
Max. Rotational Speed	4000 rpm
Repeatability (at 25 °C)	$\pm 0.2^\circ$
Absolute accuracy (at 25 °C)	$\pm 1^\circ$
Ambient temperature	-20...+70 °C
Operating voltage	18...30 VDC
No-load current	≤ 30 mA
Short-circuit protection	yes
Wire breakage/Reverse polarity protection	yes
Output type	Absolute multiturn
Communication protocol	IO-Link
IO-Link specification	Specified acc. to version 1.1
Programming	FDT/DTM
Design	Solid shaft
Flange type	Clamping flange
Flange diameter	$\varnothing 58$ mm
Shaft Type	Solid shaft
Shaft diameter D [mm]	10
Wavelength L [mm]	20
Shaft material	Stainless Steel
Housing material	Die-cast zinc

Wiring diagram



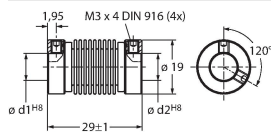
Technical data

Electrical connection	Connector, M12 × 1
	5-pin
Axial shaft load	40 N
Radial shaft load	80 N
Vibration resistance (EN 60068-2-6)	30 g (300 m/s ²), 10...2000 Hz
Shock resistance (EN 60068-2-27)	500 g (2500 m/s ²), 4 ms
Protection class	IP64
Protection class shaft	IP64

Pin configuration

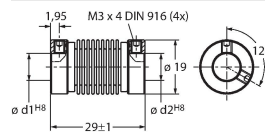
Accessories

RCS-19-10-08 1545357



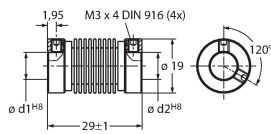
Bellows coupling, outer diameter:
19 mm, bore diameter: 10 mm/8 mm

RCS-19-10-10 1545356



Bellows coupling, outer diameter:
19 mm, bore diameter: 10 mm/10 mm

RCS-19-10-06 1545358



Bellows coupling, outer diameter:
19 mm, bore diameter: 10 mm/6 mm