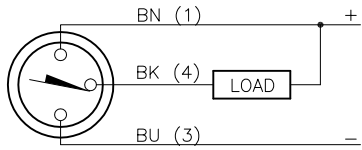
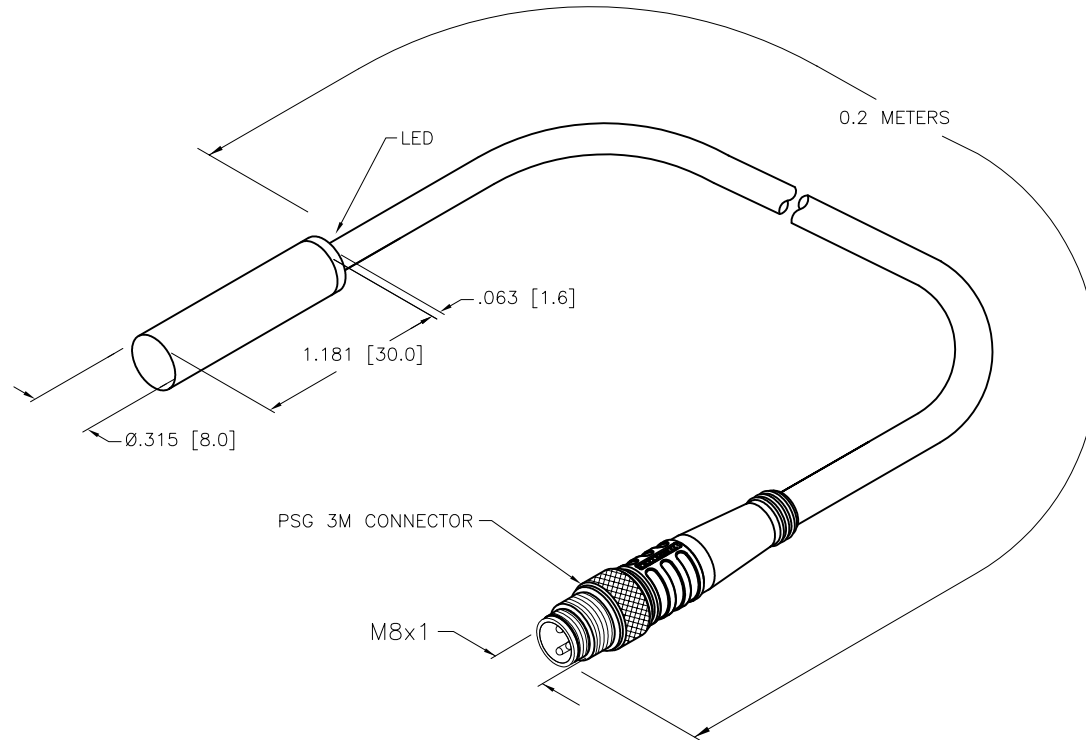


WIRING DIAGRAM



OUTPUT: AN6X
SHORT-CIRCUIT AND OVERLOAD PROTECTED



SPECIFICATIONS

RATED OPERATING DISTANCE	1.5 mm [0.059"]
HYSTERESIS	1-15% (5% TYPICAL)
MIN. REPEAT ACCURACY	≤ 5%
MAX. TEMPERATURE DRIFT	≤ ±10% C°
OPERATING TEMPERATURE	-25°C to +70°C (-13°F to +158°F)
RATED OPERATIONAL VOLTAGE	10-30 VDC
RESIDUAL RIPPLE	≤ 10%
RATED OPERATIONAL CURRENT (DC)	≤ 100 mA
NO LOAD CURRENT	5.5-9.5 mA
RESIDUAL CURRENT	≤ 10 µA
CONTINUOUS LOAD CURRENT	≤ 150 mA
TRIGGER CURRENT FOR OVERLOAD PROTECTION	≥ 170 mA
TIME DELAY BEFORE AVAILABILITY	≤ 8 ms
MAX. SWITCHING FREQUENCY	≤ 5000 Hz
OUTPUT FUNCTION	3-WIRE, NORMALLY OPEN
SHORT-CIRCUIT PROTECTED	YES
MAX. VOLTAGE DROP	≤ 1.8 V @ 150 mA
WIRE-BREAK PROTECTION	INCORPORATED
REVERSE POLARITY PROTECTION	INCORPORATED
CABLE	2 METER LENGTH, TPU
VIBRATION RESISTANCE	55 Hz, 1 mm AMPLITUDE (IN ALL 3 PLANES)
SHOCK RESISTANCE	30 g, 11 ms
DEGREE OF PROTECTION	IP 67
SWITCHING STATUS INDICATION	LED, YELLOW

SOURCE DRAWING - FOR REFERENCE ONLY

RELATED DOCUMENTS 1. 2. 3. 4.	3RD ANGLE PROJECTION 	THIS DRAWING IS CONFIDENTIAL AND THE PROPERTY OF TURCK INC. USE OF THIS DOCUMENT WITHOUT WRITTEN PERMISSION IS PROHIBITED.		3000 CAMPUS DRIVE MINNEAPOLIS, MN 55441 1-800-544-7769 (763) 553-7300 (763) 553-0708 fax www.turck.us	
	MATERIAL BRASS BARREL	ALL DIMENSIONS DISPLAYED ON THIS DRAWING ARE FOR REFERENCE ONLY	DRFT RDS DATE 05/02/08	DESCRIPTION B11.5-H08K-AN6X-0.2M-PSG3M	
	FINISH COPPER/NICKEL/ CHROME PLATING		APVD SCALE NONE	IDENTIFICATION NO. 1604399	
	CONTACT TURCK FOR MORE INFORMATION		UNIT OF MEASUREMENT INCH [MILLIMETER]		REV D

D	UPDATE ID NUMBER PER HARMONIZATION PROJECT	CBM	11/06/17	
REV	DESCRIPTION	BY	DATE	ECO NO.

DO NOT SCALE THIS DRAWING

FILE: 1604399

SHEET 1 OF 1