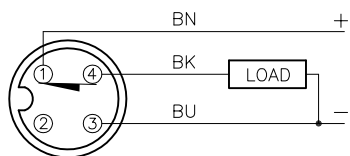


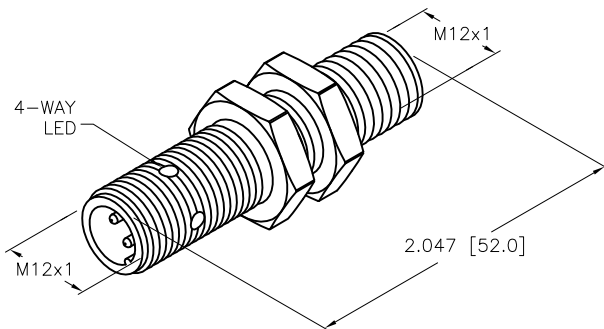
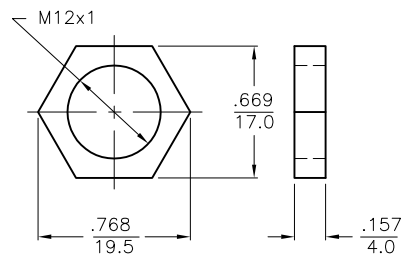
WIRING DIAGRAM



OUTPUT: RP6X

SHORT-CIRCUIT AND OVERLOAD PROTECTED

LOCKNUT LN-M12



SPECIFICATIONS

RATED OPERATING DISTANCE	4mm [.157]
MOUNTING MODE	FLUSH
TEMPERATURE DRIFT	≤±10%
HYSTERESIS	3-15%
MIN. REPEAT ACCURACY	≤2%
OPERATING TEMPERATURE	-25°C to +75°C (-13°F to +167°F)
RATED OPERATIONAL VOLTAGE	10-30 VDC
RESIDUAL RIPPLE	≤ 10%
DC RATED OPERATIONAL CURRENT	≤ 200 mA
NO-LOAD CURRENT	≤ 15 mA
RESIDUAL CURRENT	≤ 0.1 mA
RATED INSULATION VOLTAGE	≤ 0.5 kV
SHORT-CIRCUIT PROTECTION	YES
MAX. VOLTAGE DROP	≤ 1.8 V
WIRE BREAKAGE PROTECTION	INCORPORATED
REVERSE POLARITY PROTECTION	INCORPORATED
OUTPUT FUNCTION	NORMALLY CLOSED, 3-WIRE, DC SELF-CONTAINED
MAX. SWITCHING FREQUENCY	≤ 2 kHz
HOUSING MATERIAL	BRASS, CHROME PLATED
ACTIVE FACE MATERIAL	PLASTIC, PA12-GF30
CONNECTION	M12x1
VIBRATION RESISTANCE	55 Hz (IN ALL 3 PLANES)
SHOCK RESISTANCE	30 g, 11 ms
DEGREE OF PROTECTION	IP 67
SWITCHING STATUS INDICATION	LED, YELLOW

SOURCE DRAWING - FOR REFERENCE ONLY

RELATED DOCUMENTS		3RD ANGLE PROJECTION		THIS DRAWING IS CONFIDENTIAL AND THE PROPERTY OF TURCK INC. USE OF THIS DOCUMENT WITHOUT WRITTEN PERMISSION IS PROHIBITED.		3000 CAMPUS DRIVE MINNEAPOLIS, MN 55441 1-800-544-7769 (763) 553-7300 (763) 553-0708 fax www.turck.us		
1.			ALL DIMENSIONS DISPLAYED ON THIS DRAWING ARE FOR REFERENCE ONLY	DRFT	RDS	DATE	01/05/12	
2.				APVD	J.M.	SCALE	1=1.0	
3.		UNIT OF MEASUREMENT				DESCRIPTION		
4.		INCH [MILLIMETER]				BI4-G12-RP6X-H1143		
MATERIAL		CONTACT TURCK FOR MORE INFORMATION		IDENTIFICATION NO.		REV		
FINISH				4607095		D		
D	UPDATE ID NUMBER PER HARMONIZATION PROJECT	CBM	11/06/17	DO NOT SCALE THIS DRAWING				FILE: 4607095
REV	DESCRIPTION	BY	DATE	SHEET 1 OF 1				ECO NO.