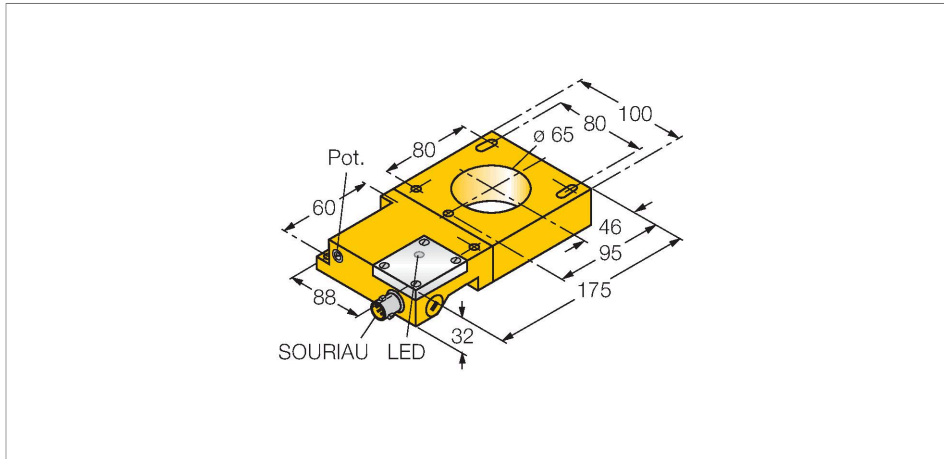


NI65R-S32SR-AP44X-S1131

Inductive Sensor – Ring Sensor



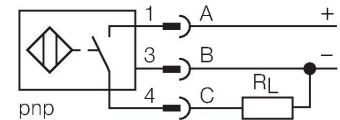
Features

- Rectangular, height 32 mm
- Plastic, ABS
- Static output behavior
- Sensitivity adjusted via potentiometer
- Modular design, ring probe and switching amplifier also separately mountable
- Output pulse length min. 100 ms
- DC 3-wire, 10...55 VDC
- NO contact, PNP output
- Connector, SOURIAU

Wiring diagram

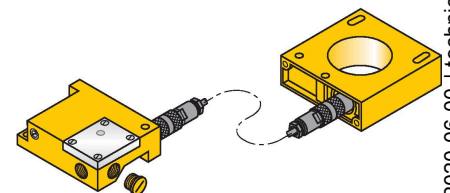
Technical data

Type	NI65R-S32SR-AP44X-S1131
Ident. no.	1440009
Inside ring diameter D	65 mm
Steel wire diameter (St37)	≥ 2 mm
Repeat accuracy	≤ 2 % of full scale
pulse stop	≥ 5 ms
Pulse duration at the output	≥ 100 ms ± 20 %
Hysteresis	3...15 %
Ambient temperature	-25...+70 °C
Operating voltage	10...55 VDC
Residual ripple	≤ 10 % U _{ss}
DC rated operational current	≤ 200 mA
No-load current	≤ 20 mA
Residual current	≤ 0.1 mA
Isolation test voltage	≤ 0.5 kV
Short-circuit protection	yes / Cyclic
Voltage drop at I _o	≤ 1.8 V
Wire breakage/Reverse polarity protection	yes / Complete
Output function	3-wire, NO contact, PNP
Switching frequency	0.008 kHz
Design	Ring sensor, S32SR
Dimensions	175 x 100 x 32 mm
Housing material	Plastic, ABS
Electrical connection	Connector, SOURIAU



Functional principle

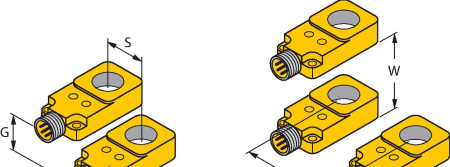
Inductive sensors detect metal objects contactless and wear-free. For this purpose they use a high-frequency electromagnetic AC field that interacts with the target. Inductive ring sensors generate this field through an LC resonant circuit. The target acts as the coil core.



Technical data

Coil body	plastic, POM
Vibration resistance	55 Hz (1 mm)
Shock resistance	30 g (11 ms)
Protection class	IP65
MTTF	2283 years acc. to SN 29500 (Ed. 99) 40 °C
Switching state	LED, Yellow

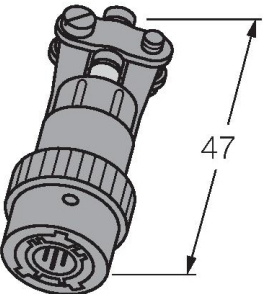
Mounting instructions

Mounting instructions/Description		
	Distance D	150 mm
	Distance W	150 mm
	Distance S	150 mm
	Distance G	150 mm

Accessories

8 51 06EC 83AP50STECKVERBINDER 14304

Souriau connector as counter-part for coupling at ring S1131



ADAPTER CABLE RING 1.6M 14306

Adapter cable enables separate mounting of ring probe and switching amplifier; coax cable: RG58 C/U 50 Ohm

