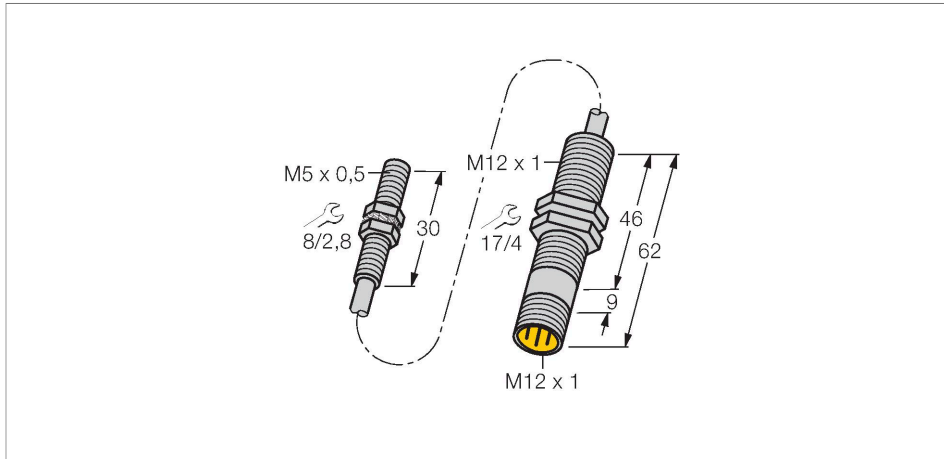


BI1.5-EG05-0.3-M12-SIU-H1141

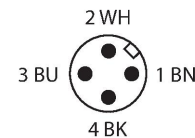
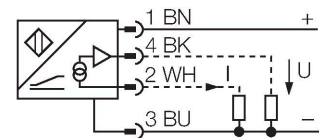
Inductive Sensor – With Analog Output



Features

- Threaded barrel, M5 x 0.5
- Stainless steel, 1.4427 SO
- 4-wire, 15...30 VDC
- Analog output
- 0...10 V and 0...20 mA
- M12 x 1 male connector

Wiring diagram

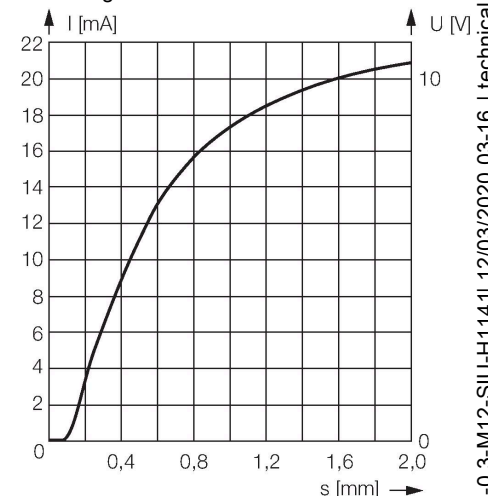


Technical data

Type	BI1.5-EG05-0.3-M12-SIU-H1141
Ident. no.	1533005
Measuring range	0.1...1.5 mm
Mounting conditions	Flush
Secured operating distance	$\leq (0.81 \times S_n)$ mm
Correction factors	St37 = 1; Al = 0.3; stainless steel = 0.7; Ms = 0.4
Repeatability	$\leq 1 \%$ of measuring range A - B
	0.5 %, after warm-up 0.5 h
Reproducibility	$\leq 14 \mu\text{m}$
	$\leq 7 \mu\text{m}$, after a warm-up time of 0.5 h
Temperature drift	$\leq \pm 0.06 \%$ / K
Ambient temperature	-25...+70 °C
Operating voltage	15...30 VDC
Residual ripple	$\leq 10 \%$ U_{ss}
No-load current	≤ 8 mA
Isolation test voltage	≤ 0.5 kV
Short-circuit protection	yes
Wire breakage/Reverse polarity protection	no / Complete
Output function	4-wire, Analog output, non-linear
Voltage output	0...10 V
Current output	0...20 mA
Load resistance voltage output	≥ 4.7 k Ω
Load resistance, current output	≤ 0.4 k Ω

Functional principle

Inductive TURCK sensors with analog output accomplish simple control tasks. They provide a current, voltage or frequency signal proportional to the target's distance.

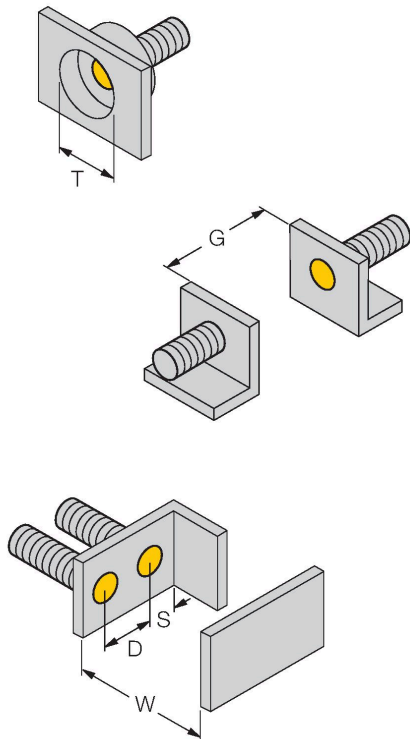


Technical data

Measuring sequence frequency	200 Hz
Design	Threaded barrel, M5 × 0.5
Dimensions	30 mm
Housing material	Stainless steel, 1.4427 SO
Material coupling nut	metal, CuZn, nickel-plated
Max. tightening torque of housing nut	5 Nm
Electrical connection	Connector, M12 × 1
Cable quality	Ø 2.4 mm, shielded, PVC, 0.3 m
Core cross-section	1 x 0.08 mm ²
Vibration resistance	55 Hz (1 mm)
Shock resistance	30 g (11 ms)
Protection class	IP67
MTTF	751 years acc. to SN 29500 (Ed. 99) 40 °C

Mounting instructions

Mounting instructions/Description



Distance D	8 mm
Distance W	4.5 mm
Distance T	3 x B
Distance S	6 mm
Distance G	9 mm
Diameter active area B	Ø 5 mm

BI1.5-EG05-0.3-M12-SIU-H1141| 12/03/2020 03-16 | technical changes reserved