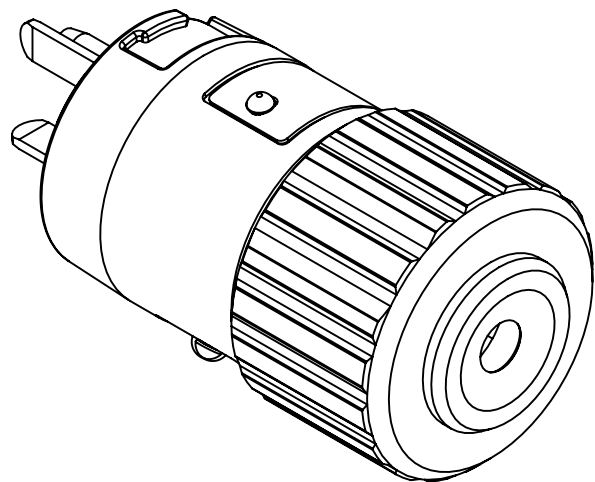
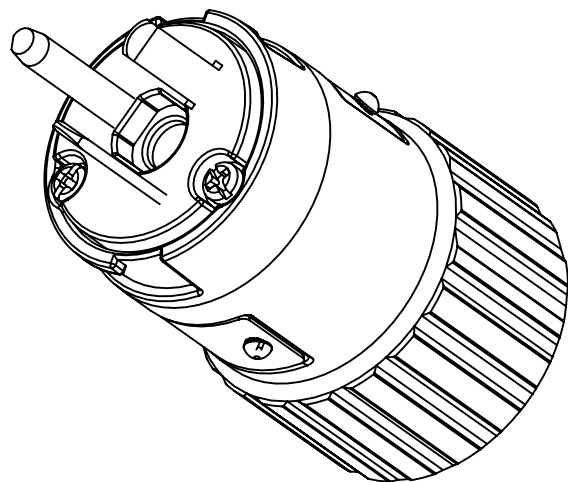
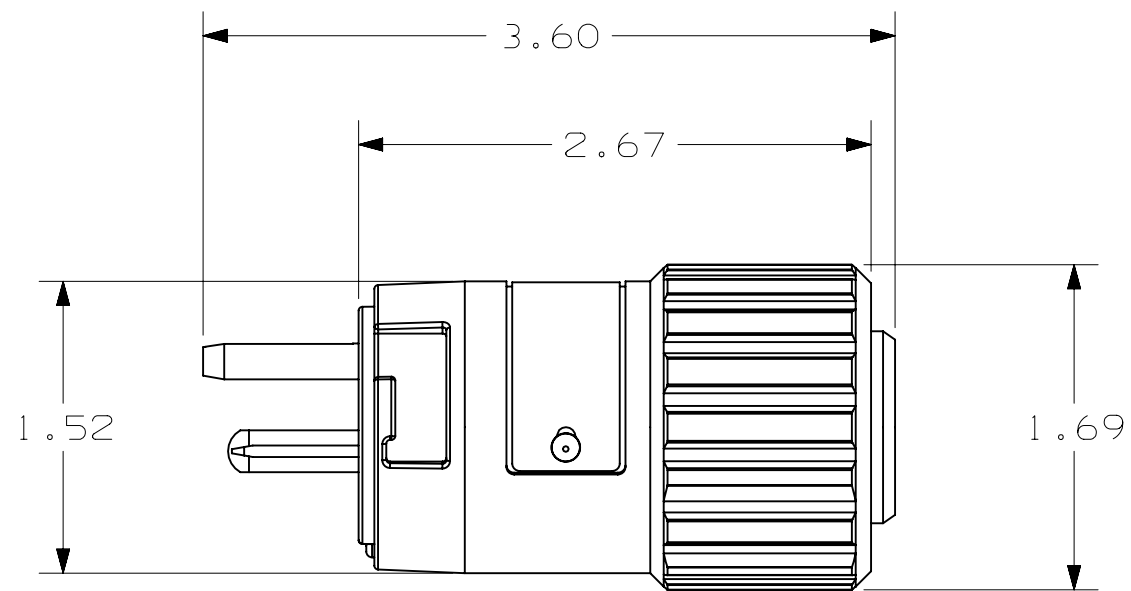



UGP - 202 32QW



THIS IS A COMPUTER GENERATED DRAWING. DO NOT ALTER. CHANGES ALLOWED ONLY TO COMPUTER MODEL.

DO NOT SCALE THIS DRAWING			P/N	
TOLERANCES FRACTIONAL DIMENSIONS ±1/32" 2 PLACE DECIMAL DIMENSIONS ±.01 3 PLACE DECIMAL DIMENSIONS ±.005 ANGULAR DIMENSIONS ±.5°			 KILLARK	
			THIS DOCUMENT IS THE PROPERTY OF KILLARK. IT IS LOANED TO YOU AND MUST NOT BE USED IN ANY WAY DETRIMENTAL TO THE INTEREST OF KILLARK.	
			DESCRIPTION:	
			UGP - 202 32QW OUTLINE	
G	N	U	DR. BY:	REL PROD:
F	M	T	CK. BY:	REL TOOL:
E	L	S	SCALE:	REL DES:
D	K	R	MATERIAL:	
C	J	Q		
B	I	P		
A	H	O		
LET	CHG. NOT. NO.	LET	CHG. NOT. NO.	LET
			PROJECT NO:	SHEET OF