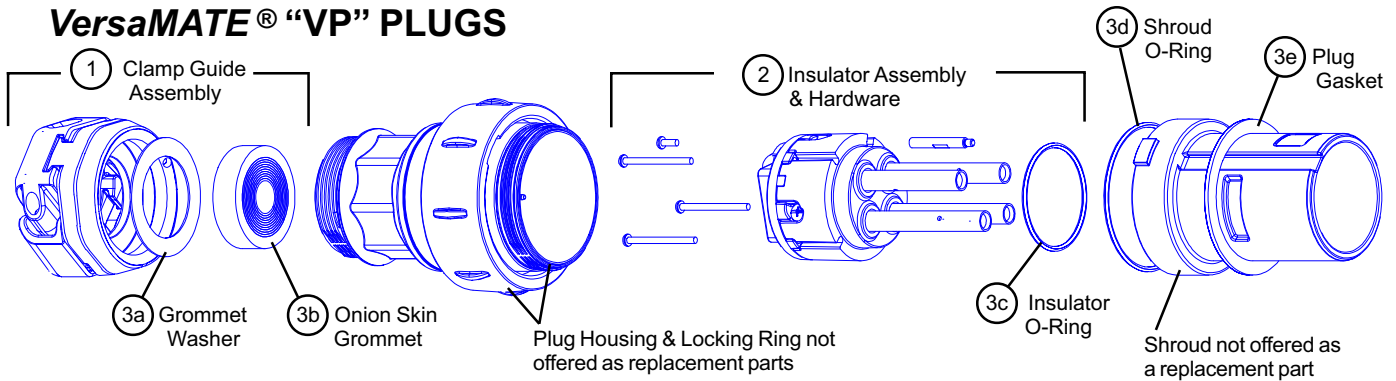


REPLACEMENT PARTS FOR *VersaMATE*® 100 AMP SERIES “VP” PLUGS, “VR” RECEPTACLES & “VPR” CABLE CONNECTORS

VersaMATE® “VP” PLUGS

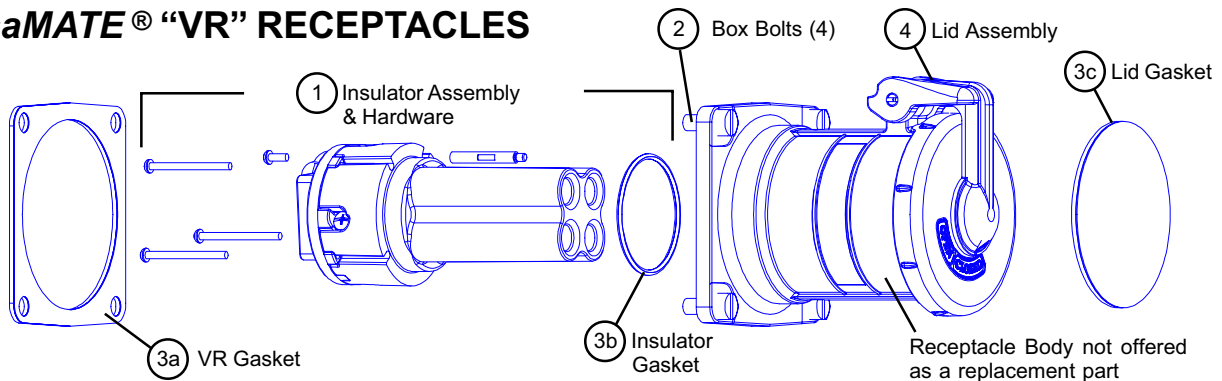


STYLE	DESCRIPTION	ITEM 1	ITEM 2	*ITEM 3
		CLAMP GUIDE ASSEMBLY	INSULATOR ASSEMBLY	GASKETS & WASHER
1	2W, 2P	RVP101	RVP102772	RVPG1033
1	3W, 3P		RVP103772	RVPG1043
1	4W, 4P		RVP104772	RVPG1043

* Note: Item 3 gaskets are sold as a kit.

STYLE	DESCRIPTION	ITEM 1	ITEM 2	*ITEM 3
		CLAMP GUIDE ASSEMBLY	INSULATOR ASSEMBLY	GASKETS & WASHER
2	2W, 3P	RVP101	RVP103872	RVPG1033
2	3W, 4P		RVP104872	RVPG1043

VersaMATE® “VR” RECEPTACLES

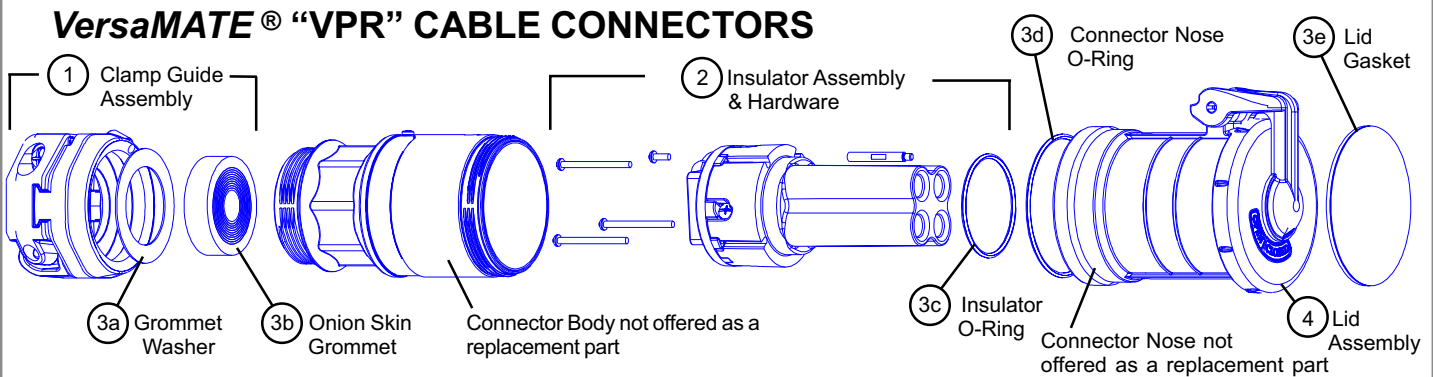


STYLE	DESCRIPTION	ITEM 1	ITEM 2	*ITEM 3	ITEM 4
		INSULATOR ASSEMBLY	BOX BOLTS QTY. (4)	GASKETS	LID ASSEMBLY
1	2W, 2P	RVR10212	RVRB6101	RVRG1033	RVRL1034
1	3W, 3P	RVR10312		RVRG1043	RVRL1044
1	4W, 4P	RVR10412		RVRG1043	RVRL1044

* Note: Item 3 gaskets are sold as a kit.

STYLE	DESCRIPTION	ITEM 1	ITEM 2	*ITEM 3	ITEM 4
		INSULATOR ASSEMBLY	BOX BOLTS QTY. (4)	GASKETS	LID ASSEMBLY
2	2W, 3P	RVR10322	RVRB6101	RVRG1033	RVRL1034
2	3W, 4P	RVR10422		RVRG1043	RVRL1044

VersaMATE® “VPR” CABLE CONNECTORS



STYLE	DESCRIPTION	ITEM 1	ITEM 2	*ITEM 3	ITEM 4
		CLAMP GUIDE ASSEMBLY	INSULATOR ASSEMBLY	GASKETS & WASHER	LID ASSEMBLY
1	2W, 2P	RVP101	RVR10212	RVPRG1033	RVRL1034
1	3W, 3P		RVR10312	RVPRG1043	RVRL1044
1	4W, 4P		RVR10412	RVPRG1043	RVRL1044

* Note: Item 3 gaskets are sold as a kit.

STYLE	DESCRIPTION	ITEM 1	ITEM 2	*ITEM 3	ITEM 4
		CLAMP GUIDE ASSEMBLY	INSULATOR ASSEMBLY	GASKETS & WASHER	LID ASSEMBLY
2	2W, 3P	RVP101	RVR10322	RVPRG1033	RVRL1034
2	3W, 4P		RVR10422	RVPRG1043	RVRL1044