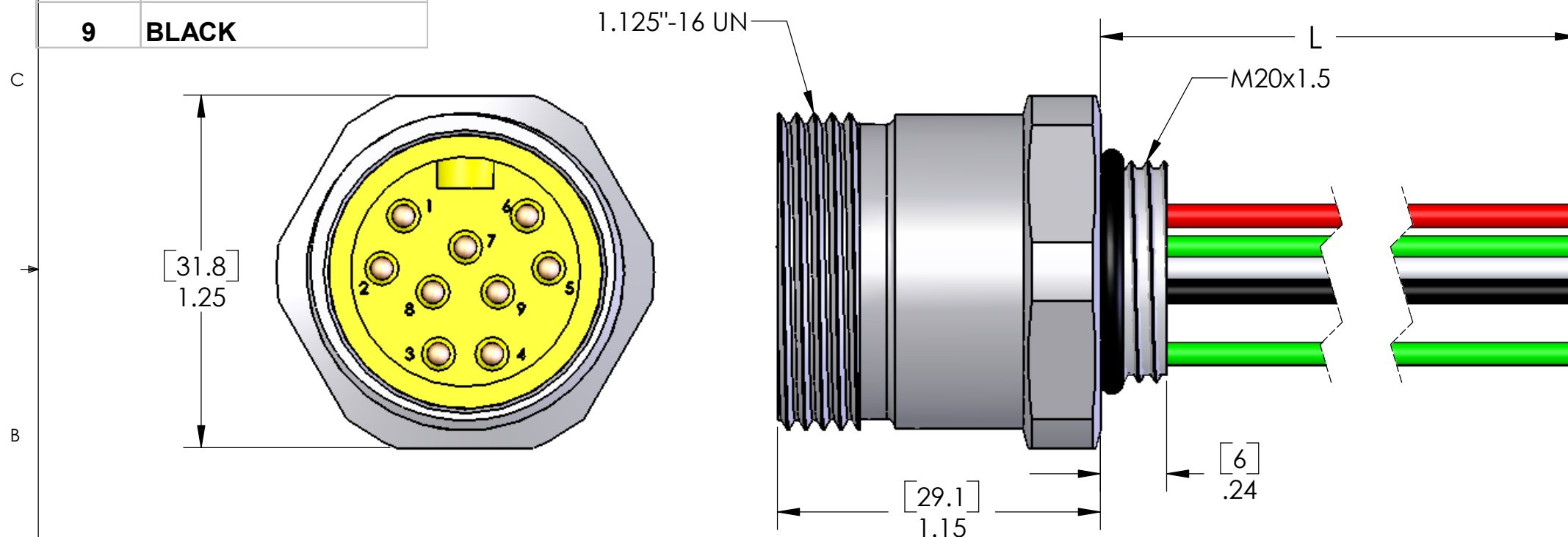


| PIN # | COLOR |
|-------|----------------|
| 1 | ORANGE |
| 2 | BLUE |
| 3 | RED w/BLACK |
| 4 | GREEN w/BLACK |
| 5 | WHITE |
| 6 | RED |
| 7 | GREEN / YELLOW |
| 8 | WHITE w/BLACK |
| 9 | BLACK |

| REVISIONS | | | |
|-----------|-----------------|----------|----------|
| REV. | DESCRIPTION | DATE | APPROVED |
| A | INITIAL RELEASE | 8/3/2005 | |



| P/N | L | STD? |
|-------------------|------|------|
| MIN-9MR-.5-18-M20 | 6" | NO |
| MIN-9MR-1-18-M20 | 12" | YES |
| MIN-9MR-2-18-M20 | 24" | NO |
| MIN-9MR-3-18-M20 | 36" | YES |
| MIN-9MR-4-18-M20 | 48" | NO |
| MIN-9MR-6-18-M20 | 72" | YES |
| MIN-9MR-10-18-M20 | 120" | NO |
| MIN-9MR-12-18-M20 | 144" | NO |
| MIN-9MR-15-18-M20 | 180" | NO |
| MIN-9MR-20-18-M20 | 240" | NO |
| MIN-9MR-30-18-M20 | 360" | YES |

| MATERIALS | |
|------------------|---------------------------------|
| BODY: | CLEAR ANODIZED ALUMINUM |
| CONTACTS: | GOLD PLATED COPPER ALLOY |
| INSERT: | YELLOW PVC |
| WIRE: | 18AWG UL1007 |

| APPROVALS | |
|---------------|------------------------|
| U.S. | UL RECOGNIZED |
| CANADA | C-UL RECOGNIZED |

PARTS LISTED AS NOT BEING STANDARD
MAY REQUIRE MINIMUM ORDERS

PROPRIETARY AND CONFIDENTIAL
THE INFORMATION CONTAINED IN THIS
DRAWING IS THE SOLE PROPERTY OF
MENCOM CORPORATION. ANY
REPRODUCTION IN PART OR AS A WHOLE
WITHOUT THE WRITTEN PERMISSION OF
MENCOM CORPORATION IS
PROHIBITED.

| | |
|----------------------|-------|
| VOLTS | 300V |
| AMPS | 4A |
| UL?: | 105°C |
| SPECIFICATIONS | |
| DO NOT SCALE DRAWING | |

| UNLESS OTHERWISE SPECIFIED: | | NAME | MENCOM CORPORATION | | |
|--------------------------------------|-----------|-----------|--------------------|-------------------|--------------|
| DIMENSIONS ARE IN INCHES AND [MM] | DRAWN | DWM | TITLE: | | |
| | CHECKED | | | | |
| | ENG APPR. | | | | |
| | MFG APPR. | | | | |
| | Q.A. | | | | |
| MATERIAL | | COMMENTS: | SIZE | DWG. NO. | REV |
| FINISH | | | B | MIN-9MR-ZZ-18-M20 | A |
| DO NOT SCALE DRAWING | | | SCALE: 2:1 | WEIGHT: | SHEET 1 OF 1 |